



# User Manual Heathfield

# CONTENTS

## Contents

1.0	Safety Instructions and Warnings.....	4
1.1	Introduction .....	4
1.2	Service and Support .....	4
1.3	Symbols Used.....	5
1.4	Contraindications/Limitations .....	5
1.5	Intended Use .....	6
1.5.1	Intended User.....	6
1.6	Chair Operating Environment .....	6
1.6.1	Frequency of use:.....	6
1.7	Vicinity to Other Equipment .....	7
1.8	Incident Reporting.....	7
1.9	Additional Warnings and Safety Notices .....	7
2.0	Components/Key Parts .....	8
2.1	Key Parts .....	8
2.2	Heathfield Configurations.....	9
3.0	Installation.....	10
3.1	Adjustments .....	10
3.1.1	Seat Depth .....	10
3.1.2	Seat Height .....	11
3.1.3	Armrest Height .....	11
3.1.4	Tray Accessory.....	12
3.1.5	Pelvic Lap Strap .....	12
3.1.6	Replacement Straps.....	12
3.1.7	Velcro Strap.....	13
4.0	Compatible Accessories.....	14
4.1	Pommel.....	15
4.2	Mobile Dolly Base .....	15
4.3	Adjustable Footrest.....	15
4.4	Reversible Footboard.....	16
4.5	Cushions.....	16
4.6	Removable Ski.....	16
5.0	Technical Specification .....	17
5.1	Chair Dimensions.....	17
5.2	Environmental - Storage and Operating Conditions.....	18
5.2.1	Normal operating conditions.....	18
5.2.2	Shipping and storage conditions .....	18
5.3	Standards Applied.....	19

# CONTENTS

5.4	Disposal .....	19
6.0	General Inspection and Maintenance.....	20
6.1	Daily Checks - To Be Completed By User .....	20
6.2	Service Interval .....	20
6.3	Nominal Service Life .....	20
6.4	Extending Nominal Service Life .....	21
6.5	User Serviceable Parts .....	21
6.6	Documentation/ Records .....	21
6.7	Final Inspection.....	21
7.0	Cleaning .....	22
7.1	General cleaning.....	22
8.0	Service Documentation .....	23
8.1	Documentation/ Records .....	23
8.2	Warranty .....	23
8.3	Service Record History .....	24
8.3.1	Product Information .....	24
8.3.2	Service & inspection record form:.....	24
9.0	Continuous improvement .....	25

## 1.0 SAFETY INSTRUCTIONS AND WARNINGS

### 1.1 Introduction

The information in this manual is important to your safety.



Please read and understand this manual in its entirety before using your Heathfield chair.

**If you require larger print or videos – these are available on the Smirthwaite website:  
[www.smirthwaite.co.uk/product/heathfield-chair/](http://www.smirthwaite.co.uk/product/heathfield-chair/)**

The information in this manual is important for the safety of anyone near the Heathfield chair and must be read and understood to help prevent injuries. It is also crucial to the proper operation and maintenance of the Heathfield chair.

Store this manual with the documents included with the chair. The Heathfield chair is designed to be used in conjunction with approved accessories. Please refer to any user guides supplied with these components while reviewing this manual.

Contents of this manual are subject to change without prior notice.



Unauthorised modifications on any Smirthwaite product may affect its safety. The manufacturer will not be held responsible for any accident, incident or deficiencies of performance that occur as a result of any unauthorised modification to its products.

### 1.2 Service and Support

To ensure the safety and continued good function of your product, routine service must be performed on your Heathfield chair.

For further details, see section 6.0 General Inspection and Maintenance.

As well as inspections and simple checks completed by the user, every 3 years a service must be completed by Smirthwaite Ltd. authorised trained service staff.

















Contact your local authorised Smirthwaite dealer if you:

- Need more information.
- Have any questions about the use or maintenance of your Heathfield chair.
- Notice any change in the performance of your chair.
- Want to report an unexpected occurrence.
- Want to arrange a service.

Contact details of your local Smirthwaite dealer are shown on the last page of this manual.

# SAFETY INSTRUCTIONS AND WARNINGS

## 1.3 Symbols Used

	Consult instructions before use		Caution
	Class II Equipment - electrical equipment in which protection against electric shock does not rely on basic insulation only	<b>SWL</b>	Safe Working Load represents the maximum load rated for safe operation
	Manufacturer		Date of manufacture
	Packaging indicator – This way up		Packaging indicator – Keep dry
	Serial number		For internal use only
	Please observe local laws on recycling	<b>IP<sub>N<sub>1</sub></sub>N<sub>2</sub></b>	Degree of protection provided by enclosure. N <sub>1</sub> : Ingress of particles N <sub>2</sub> : Ingress of water
	Temperature range		Humidity range
	Type 'B' applied part		Type 'BF' applied part
	Medical Device		Authorised representative in the European Community

## 1.4 Contraindications/Limitations

There are no known “contraindications” associated with the usage of the Heathfield chair and its accessories, provided they are used as per manufacturer’s recommendations and guidelines.

Smirthwaite Ltd. does not recommend a required number of care givers for the use of our products. This information and recommendation can only be provided after a thorough

# SAFETY INSTRUCTIONS AND WARNINGS

personalized, case specific assessment, as there are many factors that can influence these decisions.

## 1.5 Intended Use



For internal use only.

Intended to provide postural support.

### 1.5.1 Intended User

The Heathfield has been designed for use by a child's carer, therapist, and/or teaching staff who will maintain and clean the chair as per the recommended guidelines in section '6.7 Cleaning'. Under their care, they will be responsible for helping the child in and out of the seat and their safety when sitting in the Heathfield.



The Heathfield is designed to be checked and adjusted by a therapist to ensure the child is seated correctly.

## 1.6 Chair Operating Environment

The Heathfield chair is suitable for use within the professional health care facility environment as well as the home health care environment.

The chair is not intended to be used in environments where there are rapid changes in the environmental temperature and humidity during intended use.

Based on research conducted during the concept stage, the following statements apply. See Usability Technical File.

The Heathfield is intended for indoor use only, the normal operating conditions are as follows:

- A. Temperature: 41°F to 86°F (+5°C to 40°C)
- B. Relative Humidity: 15 to 90%, non-condensing, but not requiring a water vapour pressure greater than 50hPa.
- C. Atmospheric Pressure: 700hPa to 1060hPa.
- D. Ambient luminance 50 – 500 lux.
- E. Viewing distance: 0 metre to 1.5 metre

### 1.6.1 Frequency of use:

The Heathfield can be used without any frequency restrictions.

## 1.7 Vicinity to Other Equipment

Use of this equipment stacked with other equipment should be avoided, unless the equipment is an approved accessory.

Contact your local authorised dealer if assistance is required – contact details on the last page of this manual.

## 1.8 Incident Reporting

If, during the use of this device or as a result of its use, a serious incident has occurred, please report it to the manufacturer and the competent authority of the member state in which the user and/or patient is established.

## 1.9 Additional Warnings and Safety Notices

- The user should NOT be left unattended whilst in the chair. Always ensure a responsible therapist or carer is in attendance.
- If you believe the chair or any fitted accessory to be faulty at any time, **DO NOT USE** – contact Smirthwaite Ltd by telephone on +44 (0)1626 835552
- The therapist should be familiar with the methods of adjustment and have completed all adjustments appropriately to meet the needs of the child before transferring the child onto the chair.
- The chair is **ONLY** to be used indoors on a flat level surface.
- Do not exceed user maximum weight limits. Refer to section 1.5 'Intended use'.
- Always fasten the pelvic strap and any other straps provided with the chair.
- Regular maintenance checks and cleaning are essential for the safe use of this equipment. Refer to section 7 'General Inspection and Maintenance'.
- Always keep this product away from naked flames, cigarettes and sources of heat including open fireplaces, radiators, heaters.
- **DO NOT** fit parts or accessories of other manufacturers to this product unless authorised to do so in writing by Smirthwaite Ltd. Failure to follow these instructions will not only invalidate the guarantee but could make the chair dangerous to use.
- Smirthwaite Ltd will not accept liability for any injury or damage incurred through such malpractices. Any repairs required must be carried out by Smirthwaite Ltd authorised personnel.
- Product codes 6901/2 and 6911/2: It is possible to tip the chair forward if another child leans heavily on the front edge of the tray (if fitted). Size 1 and 2 chairs with trays **MUST** also have a footboard, skis, dolly or footrest for stability
- Lap straps and harnesses must be appropriate and safe for the user and the users clothing. Lap straps and harnesses must be checked every time the chair is used to ensure they are fitted as prescribed by the clinician, take account of the users clothing and are tightened so that the user cannot sustain injury. Checking the fit of lap straps and harnesses must be done with the user in the chair and should be undertaken as soon as the users sits in the chair.

## 2.0 COMPONENTS/KEY PARTS

### 2.1 Key Parts

When delivered, the chair will be supplied fully assembled except for the attachment of any special accessories ordered. Export orders may require the chair to be fully assembled, which takes approximately 2 minutes. If in any doubt, always seek advice. Always turn hand wheels, levers and screws clockwise to tighten or anti-clockwise to loosen. Conveniently packaged in a single box (Figure 1) the following components are included with your new Heathfield chair (Table 1 and Figure 1):

Item	Description
1	Contoured Seat
2	Backrest
3	Armrest
4	Leg Outrigger
5	Pelvic Lap Strap

Table 1



Figure 1

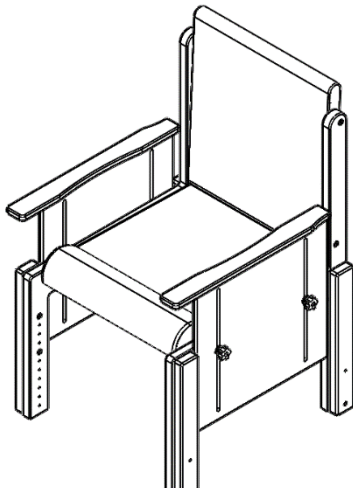
Please see above to familiarise yourself with the components of the Heathfield chair. The image above shows the key components of the Heathfield chair. If you have not received all the components contact your local Smirthwaite dealer immediately – contact details are provided on the last page of this manual.

If your order has been supplied as a custom kit, please ensure you follow both the instructions documented in this document and any additional instructions supplied. Please take note of any instructions on the packaging/box when unpacking. Once the chair has been carefully unpacked, please check all parts.

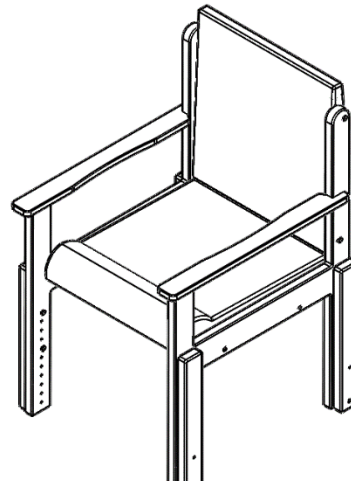


## 2.2 Heathfield Configurations

The Heathfield chair is available in different configurations dependent on armrest profile. The configuration profiles are shown below:



Type 1



Type 2

Listed below (*Table 2*) are the options available along with the part code.

Part Code	Type	Description
<b>6901</b>	Type 1	Heathfield Chair Size 1 Adjustable Armrest
<b>6911</b>	Type 2	Heathfield Chair Size 1 Fixed Armrest
<b>6902</b>	Type 1	Heathfield Chair Size 2 Adjustable Armrest
<b>6912</b>	Type 2	Heathfield Chair Size 2 Fixed Armrest
<b>6903</b>	Type 1	Heathfield Chair Size 3 Adjustable Armrest
<b>6913</b>	Type 2	Heathfield Chair Size 3 Fixed Armrest
<b>6904</b>	Type 1	Heathfield Chair Size 4 Adjustable Armrest
<b>6914</b>	Type 2	Heathfield Chair Size 4 Fixed Armrest
<b>6905</b>	Type 1	Heathfield Chair Size 5 Adjustable Armrest
<b>6915</b>	Type 2	Heathfield Chair Size 5 Fixed Armrest
<b>6906</b>	Type 1	Heathfield Chair Size 6 Adjustable Armrest
<b>6916</b>	Type 2	Heathfield Chair Size 6 Fixed Armrest

*Table 2*

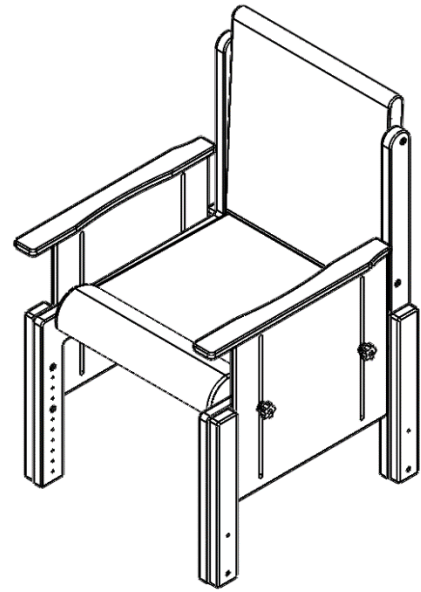
Smirthwaite Ltd. will document and maintain a record of the original product configuration at the time of first sale. Smirthwaite Ltd. will not be held responsible for any subsequent changes to this configuration unless authorized to do so in writing by Smirthwaite Ltd.

It is the equipment owner's responsibility to maintain their own records of changes to the equipment configuration and to be able to provide such records to subsequent owners to maintain traceability.

We recommend an inspection/service by a Smirthwaite Ltd. Service Engineer (or Smirthwaite Ltd. trained engineer) whenever a significant change is made to product configuration to ensure the product is safe to use. If in any doubt, ALWAYS seek ADVICE.

## 3.0 INSTALLATION

When delivered, the chair will be supplied fully assembled except for the attachment of any special accessories ordered. Export orders may require the chair to be fully assembled, which takes approximately 2 minutes. If in any doubt, always seek advice. Always turn hand wheels, levers and screws clockwise to tighten or anti-clockwise to loosen.



### 3.1 Adjustments

#### 3.1.1 Seat Depth

To move seat forwards or backwards

- Loosen handwheels (Ref. 6 of Figure 2)
- Slide seat to desired position.
- Allow 25mm gap between the back of knee and the edge of the seat.
- Tighten handwheels (Ref. 6 of Figure 2) when the seat depth is set to the desired position.

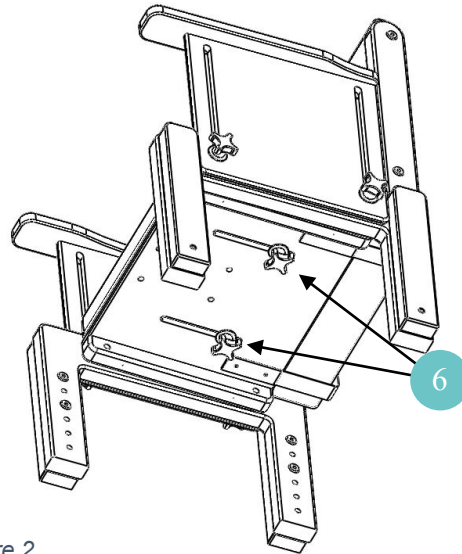


Figure 2

## 3.1.2 Seat Height

- To adjust the seat height, reposition the leg outriggers (Ref. 7 of Figure 3) using the tool provided for this purpose.
- There are 2 screws per leg (Ref. 8 of Figure 3).
- Ensure all leg outriggers are set to the same height.
- Ensure the screws are re-inserted and tightened when the desired height is achieved.
- Check the chair for stability on a level surface before use.

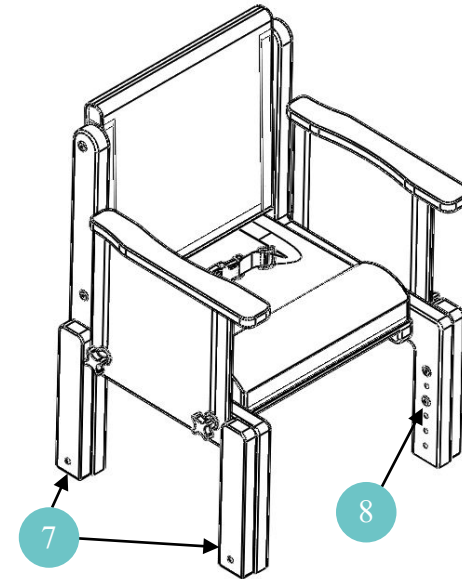


Figure 3

## 3.1.3 Armrest Height

To adjust the height of the armrest

- Loosen handwheels (Ref. 9 of Figure 4).
- Slide armrest to desired position.
- Tighten handwheels (Ref. 9 of Figure 4) when the armrest is set.
- Repeat for both armrests – ensure armrests are set to the same height on both sides of the chair.
- Armrests can be lowered to minimum setting to facilitate side transfer of child into the seat.

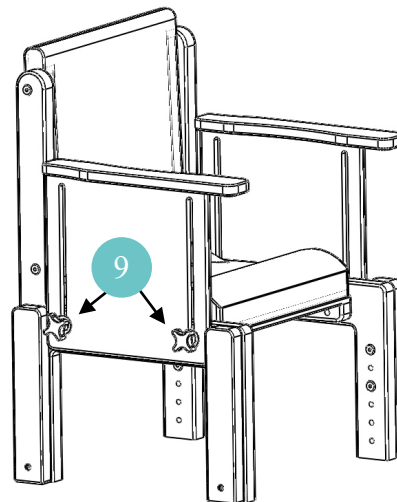


Figure 4

**Note:** Product codes 6911 – 6916 are provided with fixed armrests, and therefore cannot be adjusted.

## 3.1.4 Tray Accessory

A wooden tray accessory is available for your Heathfield chair.

The tray slides onto the armrests, and toggles are rotated to secure the tray into position.

Ensure the armrests are set to the same height before sliding the tray into place.



Figure 5

## 3.1.5 Pelvic Lap Strap

Buckle Strap (Standard)

- The buckle is secured by pushing (Ref. 10 of Figure 6) into (Ref. 11 of Figure 6).
- To release the buckle, press both sides of (Ref. 10 of Figure 6).
- The strap length can be altered by adjusting the tri-glide (as shown opposite)

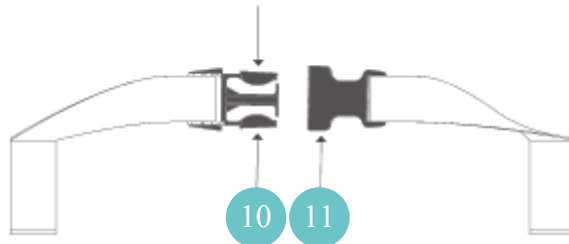


Figure 6

## 3.1.6 Replacement Straps

- To replace the straps, pull the straps off the popper fasteners, located on the underside of the chair (Ref. 12 of Figure 7).

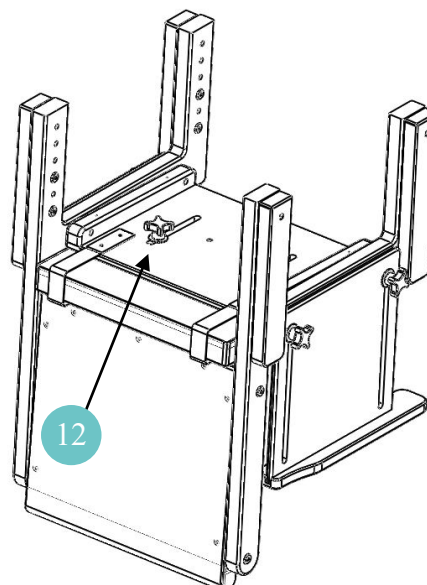
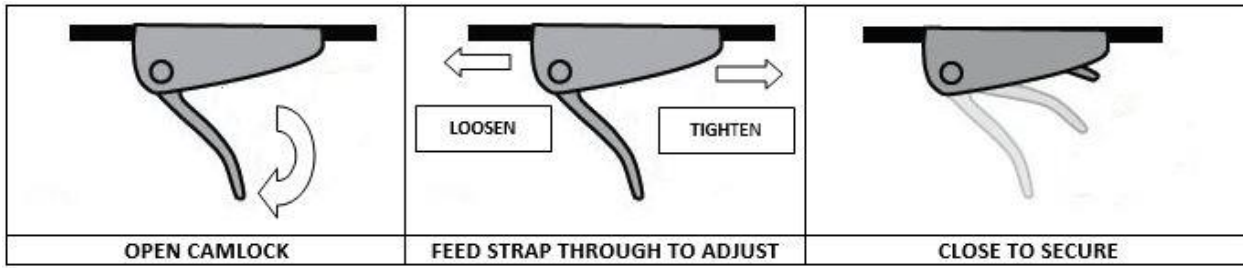


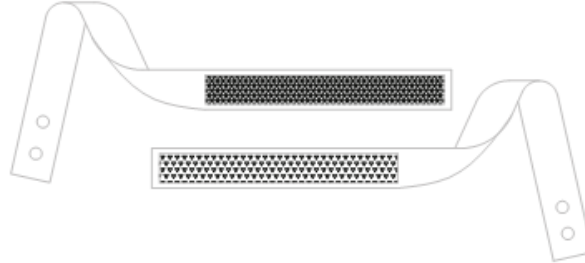
Figure 7

# INSTALLATION



## 3.1.7 Velcro Strap

- The strap is secured by pressing the two Velcro sections together and is released by pulling the sections apart.
- When Velcro straps are used, the Velcro should overlap by at least 75mm (3 inches)



## 4.0 COMPATIBLE ACCESSORIES

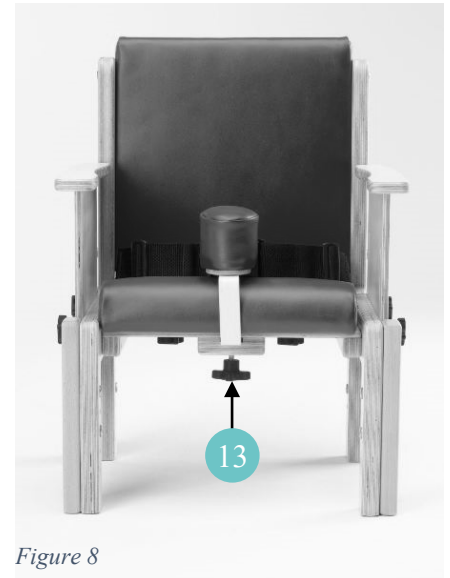
The Heathfield chair comes with a variety of compatible accessories. These accessories and part codes are listed below (Table 3);

Accessories	SIZE 1	SIZE 2	SIZE 3	SIZE 4	SIZE 5	SIZE 6
	CODE	CODE	CODE	CODE	CODE	CODE
skis	SK001	SK002	SK003	SK004	SK005	SK006
ski & half footrest	SK012	SK013	SK014	SK015	SK016	SK017
ski & full footrest	SK023	SK024	SK025	SK026	SK027	SK028
reversible footboard	FB006	FB007	FB008	FB009	FB010	FB011
adjustable footrest	FR005	FR006	FR007	FR008	FR009	FR009
independent adjustable footrest	4187	4187	4187	4187	4187	4187
kicking board	KB001	KB002	KB003	KB004	KB005	KB005
mobile dolly base	DL006	DL007	DL008	DL009	DL010	DL011
minimum raise mobile base	N/A	N/A	MB005	MB006	MB007	MB008
footplate and straps	FP001	FP002	FP003	FP004	FP005	FP005
knee blocks	N/A	N/A	KN001	KN001	KN001	KN001
pommel	PL001	PL002	PL013	PL014	PL014	PL014
independent adjustable split seat	N/A	N/A	SE031	SE032	SE033	SE034
quick release tray	TR101	TR102	TR103	TR104	N/A	N/A
wooden tray	TR071	TR072	TR073	TR074	TR005	TR005
tray handrail full width	HR001	HR001	HR002	HR002	HR003	HR003
tray handrail half width	HR004	HR004	HR004	HR004	HR004	HR004
lumbar pad	PD001	PD002	PD003	PD004	PD005	PD005
sacral pad	PD012	PD013	PD014	PD015	PD016	PD016
higher backrest in lieu of standard	BK170	BK171	BK172	BK173	BK174	BK174
25mm pelvic cushions (pair)	CS005	CS005	CS006	CS007	CS008	CS009
38mm pelvic cushions (pair)	CS014	CS014	CS015	CS016	CS017	CS018
50mm pelvic cushions (pair)	CS023	CS023	CS024	CS025	CS026	CS027
62mm pelvic cushions (pair)	CS032	CS032	CS033	CS034	CS035	CS036
75mm pelvic cushions (pair)	CS041	CS041	CS042	CS043	CS044	CS045
25 + 25mm pelvic cushion (pair)	CS050	CS050	CS051	CS052	CS053	CS054
38 + 25mm pelvic cushion (pair)	CS230	CS230	CS232	CS233	CS234	CS235
50 + 25mm pelvic cushion (pair)	CS077	CS077	CS078	CS079	CS080	CS081
62 + 25mm pelvic cushion (pair)	CS086	CS086	CS087	CS088	CS089	CS090
75 + 50mm pelvic wedge cushion (pair)	CS095	CS095	CS096	CS097	CS098	CS099
75 + 62mm pelvic wedge cushion (pair)	CS104	CS104	CS105	CS106	CS107	CS108
75 + 75mm pelvic wedge cushion (pair)	CS113	CS113	CS114	CS115	CS116	CS117
75 + 100mm pelvic wedge cushions (pair)	CS122	CS122	CS123	CS124	CS125	CS126
groin harness	HN039	HN039	HN040	HN040	HN041	HN041
four point harness	HN001	HN002	HN003	HN003	HN004	HN004
waistcoat harness	HN009	HN009	HN010	HN010	HN011	HN011
adjustable height push handle	PH010	PH011	PH012	PH013	PH014	PH015
fixed height push handle	PH004	PH005	PH006	PH007	PH008	PH009
4 glisdomes complete with screws	GD001	GD001	GD001	GD001	GD001	GD001

Table 3

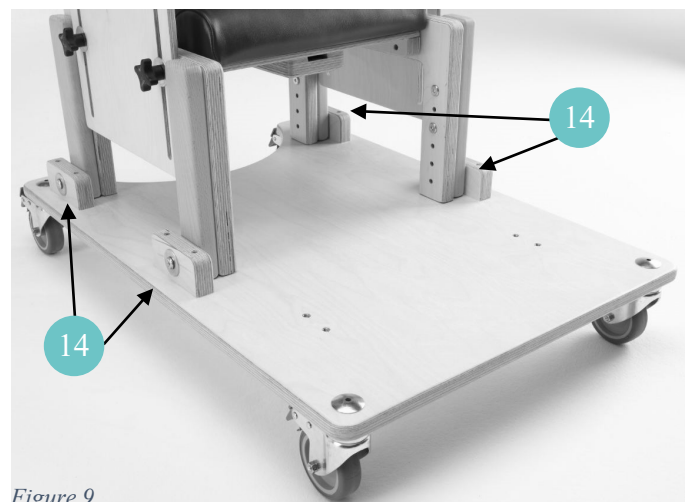
## 4.1 Pommel

- The pommel fits under the seat and is adjusted in and out by clamping with the handwheel (Ref. 13 of Figure 8).
- The pommel can be rotated to increase the amount of abduction.



## 4.2 Mobile Dolly Base

- Position the back legs of the chair to the rear blocks on the dolly.
- Secure all four legs using the screws provided with the dolly accessory pack (Ref. 11 of Figure 9).
- Precise positioning is achieved within the limits of the slots.
- Ensure there is sufficient room for your client's feet at the front of the dolly.



## 4.3 Adjustable Footrest

- The footrest is attached to the chair by sliding the chair front legs between the two battens on the footrest sides and then fixing with the screws provided.
- The height and angle can be adjusted by loosening the handwheels (Ref. 15 of Figure 10) on each side, and then positioning the footrest to desired setting.
- Tighten (Ref. 15 of Figure 10) before use.



## 4.4 Reversible Footboard

- The footboard and skis are attached to the chair by four screws provided.
- The screws fit into the chair outriggers on each side of the chair (Ref. 16 of Figure 11).
- The footboard can be reversed by removing four screws (Ref. 16 of Figure 11), rotating the complete board and ski assembly and reattaching.
- Ensure all screws are tight before use.

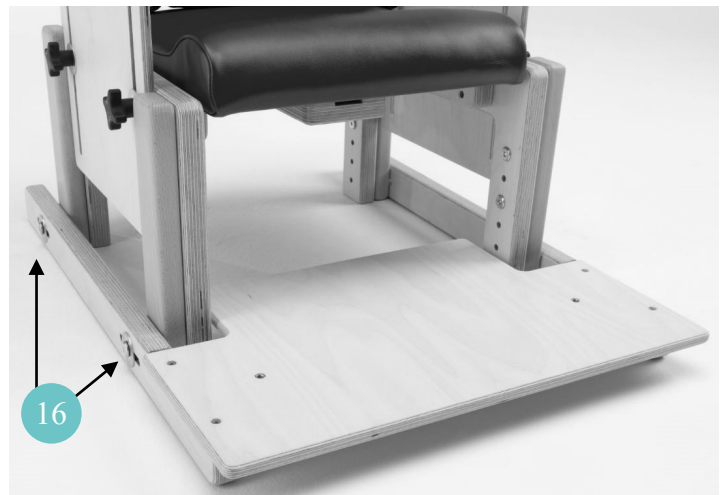


Figure 11

## 4.5 Cushions

- Side support cushions are available for chairs with adjustable arms
- The cushions are wedged in place under the armrest tops

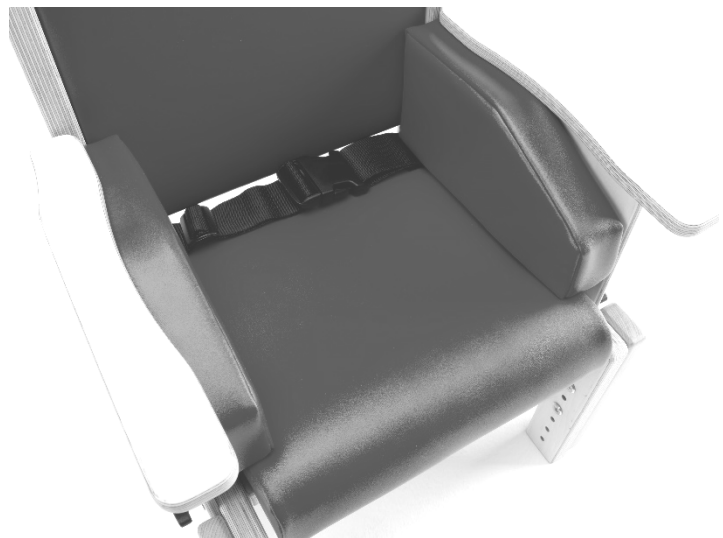


Figure 12

## 4.6 Removable Ski

- The removable skis are attached to the chair by four screws provided.
- The screws fit into the chair outriggers on each side of the chair (Ref. 17 of Figure 13).
- The depth of the ski can be adjusted by loosening the four screws (Ref. 17 of Figure 13), position the ski in the desired position and tighten all four screws (Ref. 17 of Figure 13).
- Ensure all screws are tight before use.

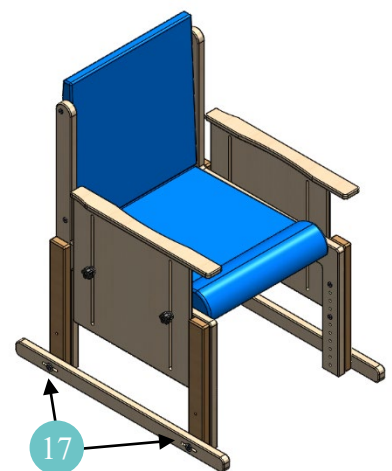


Figure 13



## 5.0 TECHNICAL SPECIFICATION

### 5.1 Chair Dimensions

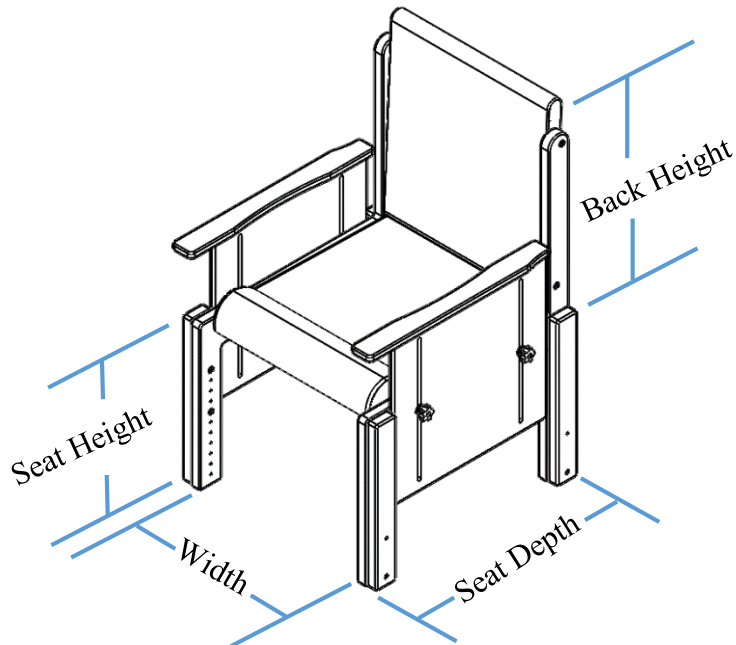


Figure 14

The diagram above (fig 14) shows the relevant dimensional sizes of the chair. Below (Table 4) is a table containing the dimensions of each size. All dimensions are in mm unless otherwise specified.

Adjustable Arm Code	Fixed Arm Code	Size	Seat Height* (mm)	Width (mm)	Seat Depth (mm)	Back Height (mm)	Max User Weight (Kg)	Product Weight (Kg)
<b>6901</b>	<b>6911</b>	1	180-230	240	180-240	250	25	5
<b>6902</b>	<b>6912</b>	2	200-300	280	220-310	280	45	6
<b>6903</b>	<b>6913</b>	3	240-370	325	260-340	320	50	8
<b>6904</b>	<b>6914</b>	4	290-390	365	320-400	365	60	16
<b>6905</b>	<b>6915</b>	5	325-425	435	370-460	420	70	20
<b>6906</b>	<b>6916</b>	6	395-545	435	450-550	420	85	24

Table 4

The Heathfield chair comes complete with a buckle pelvic strap.

The chair is available with fixed arms or adjustable arms. You can also choose from a contoured or flat seat.

\*Height of chair with contoured seat. The height with a flat seat is 25mm less.

## 5.2 Environmental - Storage and Operating Conditions



The chair is intended for internal use within normal environmental conditions.

It is not intended to be used in environments where there are rapid changes in the environmental temperature and humidity during intended use.

The Heathfield chair suffers little from any effects of lint, dust and light.

- Lint – Due to there being no mechanical or electrical mechanisms on the Heathfield chair, lint would not affect the chair working.
- Dust – Due to there being no mechanical or electrical mechanisms on the Heathfield chair, dust would not affect the chair working.
- Light – The Specification of the chair dictates that normal use would occur during ambient luminance 50 – 500 lux. Additionally, as the chair is designed for indoor use only, if required the user may wish to switch on room lighting.

### 5.2.1 Normal operating conditions

+5°C to +40°C (41°F to 104°F) at a relative humidity between 15% to 90% RH, non-condensing but not requiring a water vapour pressure greater than 50hPa and atmospheric pressure between 700hPa to 1060hPa

### 5.2.2 Shipping and storage conditions

-25°C to +5°C (-13°F to 41°F) with any humidity level  
 +5°C to +35°C (41°F to 95°F) at a relative humidity up to 90%,  
 +35°C to 70°C non-condensing at a water vapour pressure up to 50hPa

During all transportation it is recommended that the chair remains in its original packaging.

It is recommended that the chair is stored in a cool, dry place out of direct sunlight. If cleaning is required after storage, please see section 7.0 Cleaning of the user manual for instructions.

Shipping and storage conditions are also contained on Heathfield Box Label:

SN	<input type="text"/>		<input type="text"/>	 smirthwaite a prism healthcare company
REF	<input type="text"/>	 MD - Medical Device		
Product:	<input type="text"/>	Max Weight:	<input type="text"/>	
		Built By:	<input type="text"/>	
	Smirthwaite Ltd, Heathfield, Newton Abbot TQ12 6TL			
EC REP	European Healthcare & Device Solutions (Ireland) Ltd, Stratton House, Bishopstown Road, Cork, Ireland.			
Manufactured in the UK Removal of this label will invalidate the warranty				

## 5.3 Standards Applied

The standards that have been applied to the device are as follows:

- BS EN ISO 12182:2012 (Assistive products for persons with disability. General requirements and test methods).
- IEC 62366:2015 (Application of usability engineering to medical devices).
- BS EN ISO 15233-1 :2016 (Medical devices — Symbols to be used with medical device).

## 5.4 Disposal

Please observe the local laws on recycling and respect the current laws for disposal within the community the device is being used within. If there is any uncertainty, contact your local authorities to determine the proper method of disposal of potentially bio-hazardous parts and accessories.

## 6.0 GENERAL INSPECTION AND MAINTENANCE



No maintenance is to be carried out on the chair while in use to reduce the risk of injury.

### 6.1 Daily Checks - To Be Completed By User

Prior to each use the Heathfield chair must be inspected visually.



Should any of these items fail the inspection, DO NOT use the chair.

Contact your local authorized dealer for service – contact details are on the last page of this manual.

Visually check for the following:

- Check the tray (if supplied) to ensure no parts are loose or damaged.
- Check all upholstery for signs of wear and tear.
- Check that the hand wheels tighten correctly, and are not cross-threaded or damaged.
- Check that the leg screws are present and are tightened correctly.
- Check all straps for fraying, and that buckles are not missing/damaged.
- Check the strap is securely fastened to the poppers on the underside of the chair.

### 6.2 Service Interval

The Heathfield chair should be serviced every 3 years. Servicing must only be undertaken by a Smirthwaite Ltd. service engineer, or by a Smirthwaite Ltd. trained representative.

### 6.3 Nominal Service Life

Your product has a nominal service life of 12 years, during which full post-sales support will be available with regard to spares and servicing.

Product service life has been determined based upon the design complexity of product, and the anticipated exposure to normal use.

Good practice dictates all Smirthwaite Ltd. products have been designed and manufactured to high levels of safety and quality, and will meet requirements of normal use when maintained in line with our servicing recommendations.



If the product has been out of use for an extended period of time (6 months or more) it should always be serviced prior to being reissued. If the product has been subjected to 'heavy' or 'constant' use, the service should be reduced to half the recommended

period.

Constant and/or heavy use is considered to be:

- Daily use above 7 hours' duration.
- Weekly use above 5 days' duration.
- Monthly use above 10 months per year.

# GENERAL INSPECTION AND MAINTENANCE

- Use by a client who is at 90% to 100% of the maximum weight limit of the product. The maximum weight limit must NEVER be exceeded.
- Use by a client who is extremely active, either voluntarily or involuntarily.

## 6.4 Extending Nominal Service Life

At Smirthwaite Ltd. we are proud to produce products that have a reputation for quality and durability.

We believe our products have the potential to provide benefits to our clients beyond the nominal service life documented above.

We will continue to provide full support beyond the nominal service life provided the following conditions are met:

1. A full service schedule has been maintained.
2. A full service and inspection is undertaken at the end of the nominal service life period.
3. The product is subsequently serviced annually (or biannually if under 'heavy/constant' use conditions).
4. Smirthwaite Ltd. reserve the right to limit support where parts/components are no longer available.

## 6.5 User Serviceable Parts

Please contact Smirthwaite Ltd. or your local dealer for information to assist service requirements on the Heathfield – e.g. to ascertain the necessary information for replacement parts and components. Contact details are shown on the last page of this manual

## 6.6 Documentation/ Records

It is the responsibility of the current equipment owner to ensure the User Manual (As well as any further manuals for accessories fitted to the equipment) are handed over to the new owner at the time of exchange/sale.

It is the responsibility of the current equipment owner to ensure the service and inspection record form is kept up to date.

## 6.7 Final Inspection

When the service is complete:

- Remove any waste created as part of the service from the site.
- Confirm with the operator if the chair is safe to use and that it has been left in a working state. Isolate the chair if it is not safe to operate.
- Complete all documentation – see section '8.0 Service Documentation.'



Incorrect use may result in personal injury or damage to objects.

## 7.0 CLEANING

Please follow the cleaning guidelines below; noting the frequency is appropriate with usage.



It is recommended to clean the Heathfield chair and accessories before use by a different person, reducing the risk of cross-contamination.

### 7.1 General cleaning

The exterior of the Heathfield chair can be cleaned using a damp soapy cloth for general cleaning duties. Please ensure the cloth is damp and not wet. Ensure the exterior of the chair is dry after cleaning. Dry using a clean dry cloth.

- Upholstery - damp cloth and mild detergent.
- Wooden Parts - damp cloth and mild detergent.

Key cleaning points include;

- Stubborn marks on the woodwork should be cleaned by using a soft brush.
- Do not soak or immerse the chair in water.
- The pelvic strap can be cleaned with a damp cloth. In cases of extreme soiling it can be machined washed at low temperature with mild detergent but must be drip dried.
- Store the chair in a cool dry place out of direct sunlight.



DO NOT use bleach, solvents, abrasives, synthetic detergents, wax polishes, antibacterial sprays or wipes.

For further information, please refer to MHRA or your NHS cleaning guidelines.

## 8.0 SERVICE DOCUMENTATION

### 8.1 Documentation/ Records

It is the responsibility of the current equipment owner to ensure the Service Manual (As well as any further manuals for accessories fitted to the equipment) are handed over to the new owner at the time of exchange/sale.

It is the responsibility of the current equipment owner to ensure the service and inspection record form is kept up to date.

### 8.2 Warranty

Smirthwaite Ltd warrants the products detailed on your order to be free from defects in materials and workmanship for a period of 2 years from date of delivery. If a fault develops during the period, please call Customer Services by email or telephone 01626 835552 who will advise you on the best course of action. Possible action may be for us to arrange to send out one of our Service Engineers, or have the goods returned to us. Should a repair not be possible within the guarantee period we will replace the product for new or nearest equivalent product. In the unlikely event that we cannot repair or exchange we will refund in full.

This warranty is in addition to your legal rights. Goods will only be collected from the original delivery address.

A charge may be made where the goods cannot be repaired under the terms of the warranty. You will be advised before this is made.

T: +44 (0)1626 835552

E: [info@smirthwaite.co.uk](mailto:info@smirthwaite.co.uk)

## 8.3 Service Record History

Complete this record after each service, repair inspection and/or maintenance.

\* Photocopy additional pages as required \*

### 8.3.1 Product Information

Model	
Size	
Date of Manufacture	
Serial Number	

### 8.3.2 Service & inspection record form:

Date	Procedure	Service Personnel



### 9.0 CONTINUOUS IMPROVEMENT

Smirthwaite Ltd are committed to continuous improvement to their product range. Should you have any suggestions or comments please send them to our product design department at:

[info@smirthwaite.co.uk](mailto:info@smirthwaite.co.uk)

Smirthwaite Ltd reserve the right to change the specification or material without prior notice.

For catalogues, help and further information on our products please contact us at:

Smirthwaite Ltd 16 Wentworth Road Heathfield, Devon.TQ12 6TL

T: +44 (0)1626 835552

E: [info@smirthwaite.co.uk](mailto:info@smirthwaite.co.uk)

W: [www.smirthwaite.co.uk](http://www.smirthwaite.co.uk)



Smirthwaite Ltd, 16 Wentworth Road • Heathfield • Newton Abbot • Devon • TQ12 6TL

Part Number: 999-1-01 / Rev: 2 / Date: Sep 21