



User Manual Hardrock

CONTENTS

Contents

1.0	Safety Instructions and Warnings.....	4
1.1	Introduction	4
1.2	Service and Support	4
1.3	Symbols Used.....	5
1.4	Contraindications/Limitations	5
1.5	Intended Use	6
1.5.1	Intended User.....	6
1.6	Chair Operating Environment	6
1.6.1	Frequency of use:.....	6
1.7	Vicinity to Other Equipment	7
1.8	Incident Reporting.....	7
1.9	Additional Warnings and Safety Notices	7
2.0	Components/Key Parts	9
2.1	Key Parts	9
2.2	Hardrock Configurations	10
2.3	Packaging.....	10
3.0	Installation.....	11
3.1	Adjustments	11
3.1.1	Seat Height	11
3.1.2	Seat Depth	11
3.1.3	Armrest.....	12
4.0	Compatible Accessories.....	13
4.1	Tray.....	14
4.2	Thoracic Supports.....	14
4.2.1	Height.....	14
4.2.2	Width	14
4.3	Straps and Harnesses	15
4.3.1	Pelvic Lap Strap	15
4.3.2	4-Point Pelvic Strap.....	15
4.4	Buckle and Strap Operation.....	16
4.4.1	Buckle Strap (Standard).....	16
4.4.2	Strap Length.....	16
4.5	Heal Stop for Heal Huggy	16
4.6	Pommel.....	16
4.7	Stabilisers	17
4.7.1	Retrofitting.....	17
4.7.2	Extend Stabiliser	17

CONTENTS

5.0	Final Inspection	18
6.0	Technical Specification	19
6.1	Chair Dimensions.....	19
6.2	Environmental - Storage and Operating Conditions.....	19
6.2.1	Normal operating conditions.....	20
6.2.2	Shipping and storage conditions	20
6.3	Standards Applied.....	20
6.4	Disposal	20
7.0	General Inspection and Maintenance.....	21
7.1	Daily Checks - To Be Completed by User.....	21
7.2	Service Interval	21
7.3	Nominal Service Life	21
7.4	Extending Nominal Service Life	22
7.5	User Serviceable Parts	22
7.6	Final Inspection.....	22
8.0	Cleaning	23
8.1	General cleaning.....	23
9.0	Service Documentation	23
9.1	Documentation/ Records	23
9.2	Service Record History	24
9.2.1	Product Information	24
9.2.2	Service & inspection record form:.....	24
10.0	Warranty	25
11.0	Continuous improvement.....	25

1.0 SAFETY INSTRUCTIONS AND WARNINGS

1.1 Introduction

The information in this manual is important to your safety.



Please read and understand this manual in its entirety before using your Hardrock chair.

**If you require larger print or videos – these are available on the Smirthwaite website:
www.smirthwaite.co.uk/product/Hardrock-chair/**

The information in this manual is important for the safety of anyone near the Hardrock chair and must be read and understood to help prevent injuries. It is also crucial to the proper operation and maintenance of the Hardrock chair.

Store this manual with the documents included with the chair. The Hardrock chair is designed to be used in conjunction with approved accessories. Please refer to any user guides supplied with these components while reviewing this manual.

Contents of this manual are subject to change without prior notice.



Unauthorised modifications on any Smirthwaite product may affect its safety. The manufacturer will not be held responsible for any accident, incident or deficiencies of performance that occur as a result of any unauthorised modification to its products.

1.2 Service and Support

To ensure the safety and continued good function of your product, routine service must be performed on your Hardrock chair.

As well as inspections and simple checks completed by the user, an annual service must be completed by Smirthwaite Ltd. authorised trained service staff.

















Contact your local authorised Smirthwaite dealer if you:

- Need more information.
- Have any questions about the use or maintenance of your Hardrock chair.
- Notice any change in the performance of your chair.
- Want to report an unexpected occurrence.
- Want to arrange a service.

Contact details of your local Smirthwaite dealer are shown on the last page of this manual.

SAFETY INSTRUCTIONS AND WARNINGS

1.3 Symbols Used

	Consult instructions before use		Caution
	Class II Equipment - electrical equipment in which protection against electric shock does not rely on basic insulation only	SWL	Safe Working Load represents the maximum load rated for safe operation
	Manufacturer		Date of manufacture
	Packaging indicator – This way up		Packaging indicator – Keep dry
	Serial number		For internal use only
	Please observe local laws on recycling	IP_{N₁}N₂	Degree of protection provided by enclosure. N ₁ : Ingress of particles N ₂ : Ingress of water
	Temperature range		Humidity range
	Type 'B' applied part		Type 'BF' applied part
	Medical Device		Authorised representative in the European Community

1.4 Contraindications/Limitations

There are no known “contraindications” associated with the usage of the Hardrock chair and its accessories, provided they are used as per manufacturer’s recommendations and guidelines.

Smirthwaite Ltd. does not recommend a required number of care givers for the use of our products. This information and recommendation can only be provided after a thorough

SAFETY INSTRUCTIONS AND WARNINGS

personalized, case specific assessment, as there are many factors that can influence these decisions.

1.5 Intended Use



For internal use only.

Intended to provide postural support.

1.5.1 Intended User

The Hardrock has been designed for use by a child's carer, therapist, and/or teaching staff who will maintain and clean the chair as per the recommended guidelines in section 8.0 'Cleaning'. Under their care, they will be responsible for helping the child in and out of the seat and their safety when sitting in the Hardrock.

The Hardrock is designed to be checked and adjusted by a therapist to ensure the child is seated correctly.



1.6 Chair Operating Environment

The Hardrock chair is suitable for use within the professional health care facility environment as well as the home health care environment.

The chair is not intended to be used in environments where there are rapid changes in the environmental temperature and humidity during intended use.

Based on research conducted during the concept stage, the following statements apply. See Usability Technical File.

The Hardrock is intended for indoor use only; the normal operating conditions are as follows:

- A. Temperature: 41°F to 86°F (+5°C to 40°C)
- B. Relative Humidity: 15 to 90%, non-condensing, but not requiring a water vapour pressure greater than 50hPa.
- C. Atmospheric Pressure: 700hPa to 1060hPa.
- D. Ambient luminance 50 – 500 lux.
- E. Viewing distance: 0 metre to 1.5 metre

1.6.1 Frequency of use:

The Hardrock can be used without any frequency restrictions.

1.7 Vicinity to Other Equipment

Use of this equipment stacked with other equipment should be avoided, unless the equipment is an approved accessory.

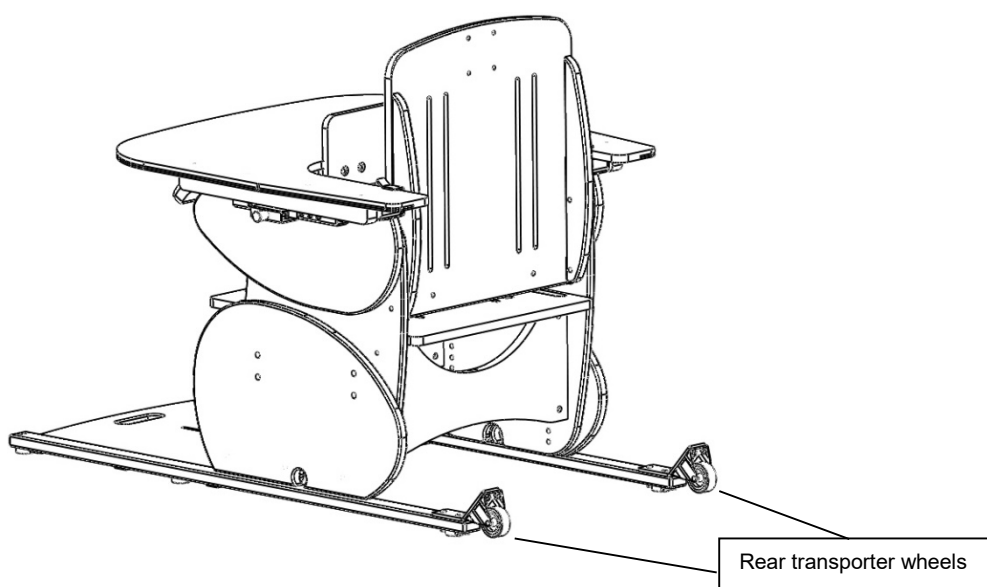
Contact your local authorised dealer if assistance is required – contact details on the last page of this manual.

1.8 Incident Reporting

If, during the use of this device or as a result of its use a serious incident has occurred, please report it to the manufacturer and the competent authority of the member state in which the user and/or patient is established.

1.9 Additional Warnings and Safety Notices

- The user should NOT be left unattended whilst in the Hardrock. Always ensure a responsible therapist or carer is in attendance.
- For the initial setting up of the Hardrock and at subsequent/future review of the child, measurements of the child's seat depth and height is required.
- The therapist should be familiar with the methods of adjustment and have completed all adjustments appropriately to meet the needs of the child using the measurements taken before transferring the child into the chair.
- Adjusting the seat height of the Hardrock is easier and safer if carried out by two people.
- Ensure all castors on the mobile base are locked with castors facing inwards by tilting the chair slightly onto its side before making any adjustments.
- Rear transporter wheels have been fitted onto the skis to facilitate moving the chair. DO NOT use whilst the child is seated in the chair.



SAFETY INSTRUCTIONS AND WARNINGS

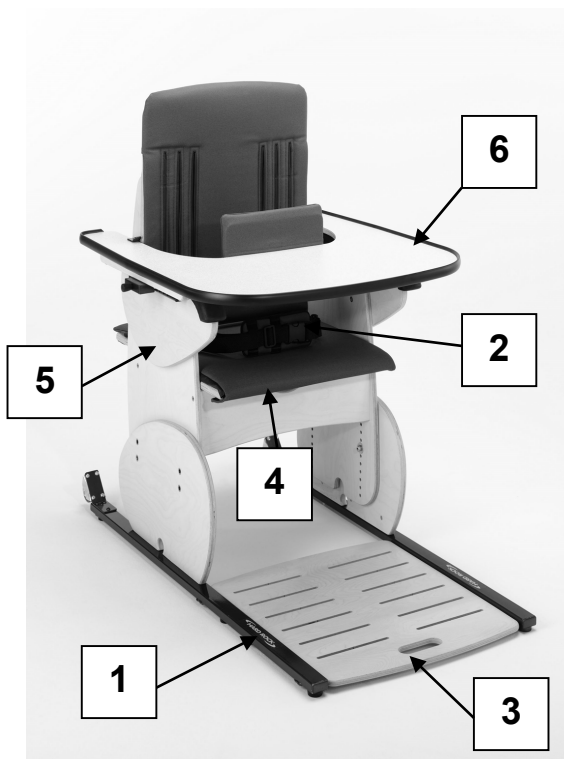
- If rear transporter wheels have not been fitted, Hardrock should only be moved by two people.
- Only Hardrock fitted onto mobile base can be used as an indoor transit chair.
- The Hardrock castors are designed for indoor use only and may be damaged if used outdoors.
- The Hardrock is only to be used on a flat level surface.
- DO NOT EXCEED MAXIMUM WEIGHT LIMITS SPECIFIED
- Regular maintenance checks and cleaning are essential for the safe use of this equipment (see care and maintenance section).
- If any part is loose, damaged or functioning incorrectly, do not use until rectified.
- Always fasten the pelvic strap and any other straps provided.
- Regularly check that they are not showing any signs of tearing or fraying and that they fasten correctly.
- Ensure that all nuts, bolts and handwheels are securely tightened and that none are missing.
- Always keep this product away from naked flames, cigarettes and sources of heat including open fireplaces, radiators, heaters etc.
- DO NOT fit parts or accessories of other manufacturers to this product unless authorized to do so in writing by Smirthwaite Ltd. Failure to follow these instructions will not only invalidate the guarantee but could make the chair dangerous to use. Smirthwaite Ltd will not accept liability for any injury or damage incurred through such malpractices. Any repairs required must be carried out by Smirthwaite Ltd authorized personnel.

2.0 COMPONENTS/KEY PARTS

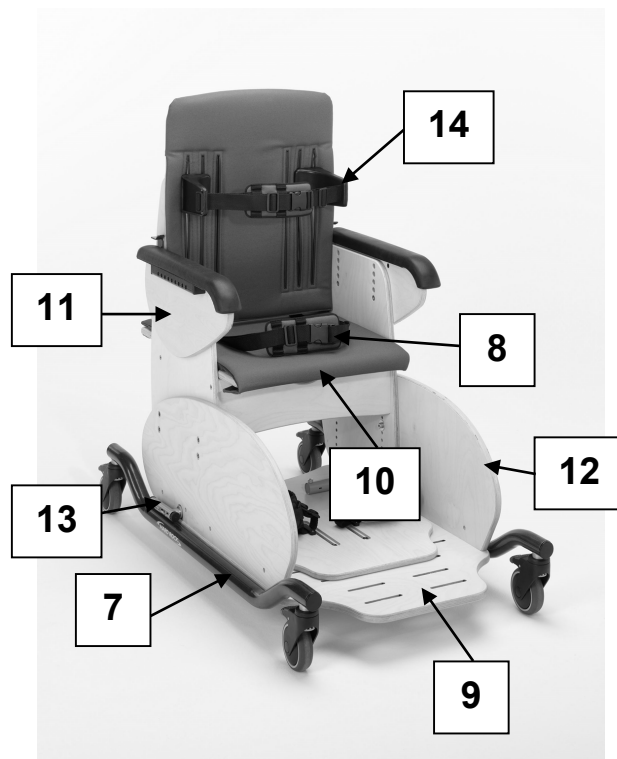
2.1 Key Parts

When delivered, the chair will be supplied fully assembled except for the attachment of any special accessories ordered. Export orders may require the chair to be fully assembled, which takes approximately 2 minutes. If in any doubt, always seek advice. Always turn hand wheels, levers and screws clockwise to tighten or anti-clockwise to loosen. Conveniently packaged in a single box the following components are included with your new Hardrock chair:

HARDROCK SIZE 1, 2 & 3
Code 8201-8203



HARDROCK SIZE 4
Code 8204



- 1.Ski
- 2.Pelvic strap
- 3.Footboard
- 4.Anti-thrust cushion
- 5.Armrest
- 6.Tray Note: Size 4 also comes with tray as standard (not shown)

- 7.Mobile Base with lockable castors
- 8.Pelvic strap
- 9.Footboard
- 10.Anti-thrust cushion
- 11.Armrest
- 12.Extended gables (optional)
- 13.Stabilisers (optional)
- 14.Thoracic supports (optional)

Please see above to familiarise yourself with the components of the Hardrock chair. The image above shows the key components of the Hardrock chair. If you have not received all the components contact your local Smirthwaite dealer immediately – contact details are provided on the last page of this manual.

If your order has been supplied as a custom kit, please ensure you follow both the instructions documented in this document and any additional instructions supplied. Please take note of any instructions on the packaging/box when unpacking. Once the chair has been carefully unpacked, please check all parts.

2.2 Hardrock Configurations

Smirthwaite Ltd. will document and maintain a record of the original product configuration at the time of first sale. Smirthwaite Ltd. will not be held responsible for any subsequent changes to this configuration unless authorized to do so in writing by Smirthwaite Ltd.

It is the equipment owner's responsibility to maintain their own records of changes to the equipment configuration and to be able to provide such records to subsequent owners to maintain traceability.

We recommend an inspection/service by a Smirthwaite Ltd. Service Engineer (or Smirthwaite Ltd. trained engineer) whenever a significant change is made to product configuration to ensure the product is safe to use. If in any doubt, ALWAYS seek ADVICE.

2.3 Packaging

- When delivered, the chair will be supplied fully assembled except for the attachment of any special accessories ordered.
- If your order has been supplied as a custom kit, please ensure you follow both the instructions documented in this IFU **and** any additional instructions supplied.
- Please take note of any instructions on the packaging/box when unpacking.
- Once the chair has been carefully unpacked, please check all parts.

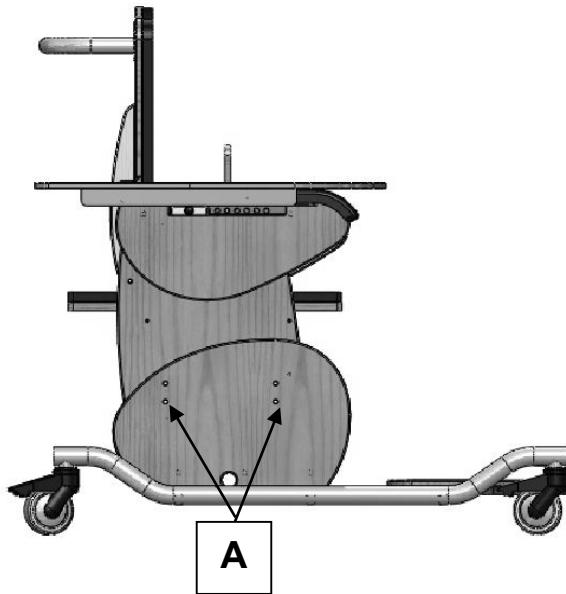
3.0 INSTALLATION

When delivered, the chair will be supplied fully assembled except for the attachment of any special accessories ordered. Always turn hand wheels, levers and screws clockwise to tighten or anti-clockwise to loosen.

3.1 Adjustments

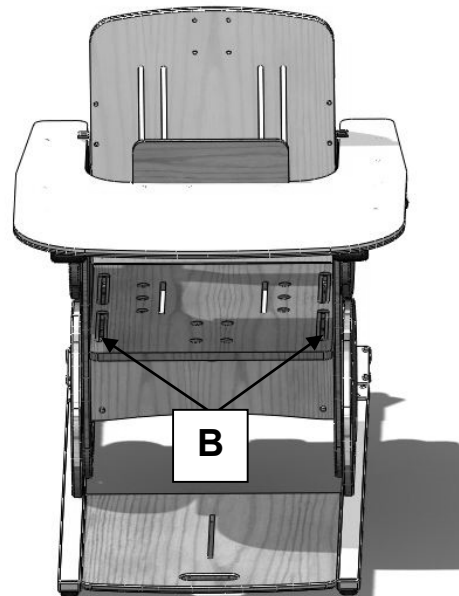
3.1.1 Seat Height

- Lay the chair on its side. (2 people required)
- Remove the 4 hexagon head screws (A) on each side.
- With one person holding the top seat section of the chair, slide the seat section to the required height.
- Replace the 8 screws.
- Ensure all 8 screws match each other equally in height holes.
- Tighten the screws.
- Return chair to upright position



3.1.2 Seat Depth

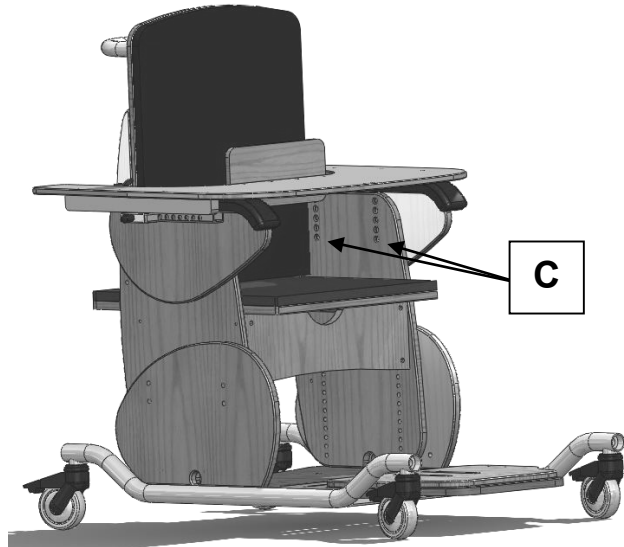
- Lift the front edge of the seat pad attached with Velcro under the seat.
- Loosen the 4 hexagon screws (B) in the slots on the edge of the seat by a just a couple of turns.
- Slide the seat back or forwards to desired depth.
- Tighten the screws.



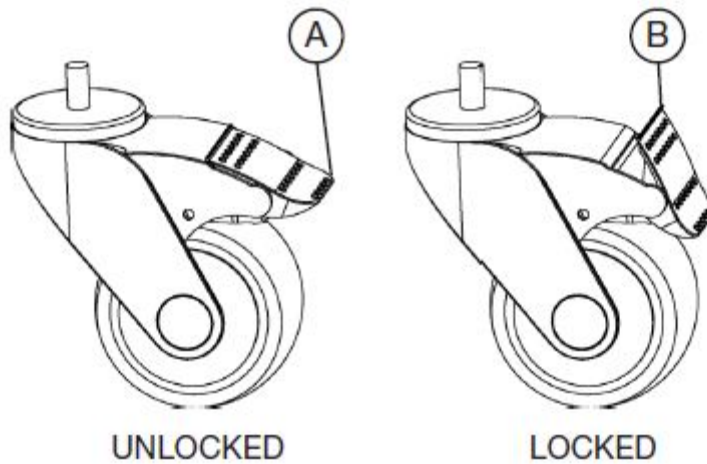
INSTALLATION

3.1.3 Armrest

- Loosen the 2 hexagon screws (C)
- Position at required height using any of the holes available.
- Tighten the screws.
- Ensure that both armrests are set at the same height and horizontal.



Always lock the castors when attaching items or making adjustments. To lock, apply foot to point (A), to unlock apply foot to point (B).



4.0 COMPATIBLE ACCESSORIES

The Hardrock chair comes with a variety of compatible accessories. These accessories and part codes are listed below;

Accessories	Size 1 CODE	Size 2 CODE	Size 3 CODE	Size 4 CODE
Chair	8201	8202	8203	8204
Lower Leg Accessories				
Mobile Base With Push Handle	MB010	MB010	MB012	MB012
Heel Huggy Plate	FP016	FP017	FP018	FP019
Stabilisers*	SB001	SB001	SB002	SB002
Extended Side Gables*	EG001	EG001	EG002	EG002
Seat Accessories				
Pommel	PL020	PL020	PL021	PL021
4 Point Pelvic Strap*	HN073	HN074	HN075	HN076
Increased Height Backrest (Extra 100mm)*	BK154	BK155	BK156	BK157
Tray Accessories*				
Tray Handrail Full Width	GB009	GB010	GB011	GB012
Padded Tray Insert (Fitted Top)	TR034	TR035	TR036	TR037
Padded Tray Insert (Fitted Underneath)	TR030	TR031	TR032	TR033
Front Tray Retaining Strap	ST053	ST053	ST053	ST053
Rear Tray Retaining Strap	ST054	ST054	ST054	ST054
Side Tray Retaining Strap	ST055	ST055	ST055	ST055
Back & Head Accessories				
Moulded Pelvic Support	SP016	SP017	SP018	SP019
Trunk Supports With Straps	SP010	SP010	SP011	SP011
Samba Style Headrest Size 1	HT014	HT014	HT014	HT014
Samba Style Headrest Size 2	HT015	HT015	HT015	HT015
Cushions				
25mm Pelvic Cushions (Pair)	CS138	CS139	CS140	CS141
38mm Pelvic Cushions (Pair)	CS142	CS143	CS144	CS145
50mm Pelvic Cushions (Pair)	CS146	CS147	CS148	CS149
62mm Pelvic Cushions (Pair)	CS150	CS151	CS152	CS153
75mm Pelvic Cushions (Pair)	CS154	CS155	CS156	CS157
25+25mm Pelvic Cushions (Pair)	CS210	CS211	CS212	CS213
38+25mm Pelvic Cushions (Pair)	CS221	CS222	CS223	CS224
50+25mm Pelvic Cushions (Pair)	CS214	CS215	CS216	CS217
62+25mm Pelvic Cushions (Pair)	CS218	CS219	CS220	CS221

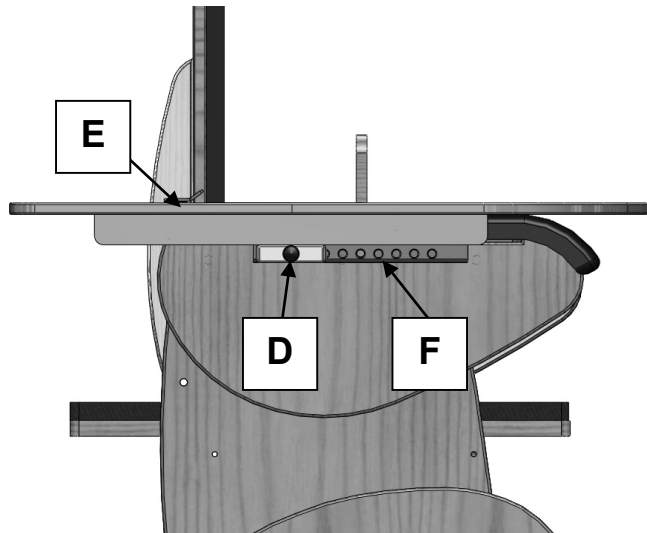
* Items marked with * must be factory fitted at the time product is ordered

Sizes 2 & 3 come complete with adjustable armrests, anti-thrust cushion, tray, buckle pelvic strap with pad and transporter base (consists of skis with transporter wheels and integrated footboard).

Size 4 comes complete with adjustable armrests, anti-thrust cushion, tray, buckle pelvic strap with pad and mobile base with push handle.

4.1 Tray

- Hold the sides of the tray
- Pull 2 plunger pins (D) out to rest and park at an angle.
- Rest back of tray on armrest.
- Slide back of tray under the tray retainer (E) and then to desired position.
- Release pins securely into position in the holes along the armrest (F)
- Ensure chest pad is correctly positioned in front of child for safety, appropriate support and reduce undesired movement.



4.2 Thoracic Supports

4.2.1 Height

To adjust:

- Loosen handwheels on rear of seat.
- Move the thoracic support up or down to desired position.
- Re-tighten the handwheels.

4.2.2 Width

To adjust:

- Loosen handwheels on rear of seat, and remove from the vertical slots.
- Position the thoracic support appropriate vertical slot for the desired width.
- Re-tighten the handwheels.



4.3 Straps and Harnesses

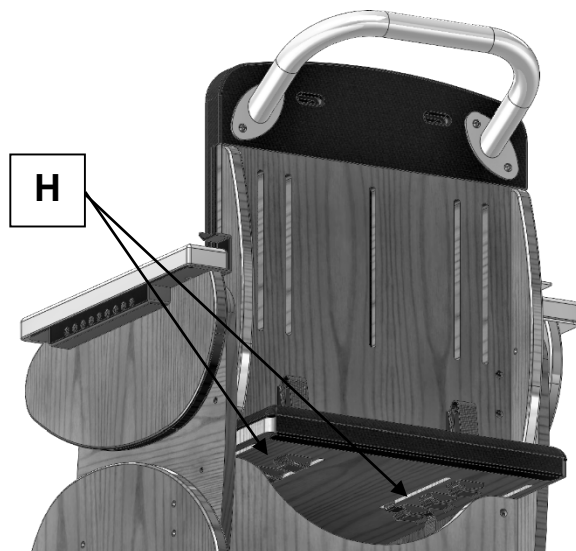
4.3.1 Pelvic Lap Strap

- The buckle is operated in the same way as the thoracic supports (see section 4.2)
- To adjust the length on the strap, simply adjust the amount of strap that is fed through the cam-lock fasteners, which are located on the back of the chair. Towards the bottom of the backrest. (G).
- To remove the strap completely, loosen the cam-locks and retract the strap from them.



4.3.2 4-Point Pelvic Strap

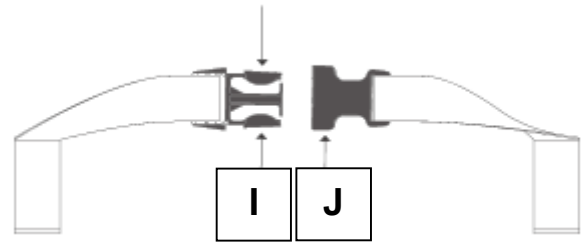
- The buckle and tri-glide adjustments are operated in the same way as the thoracic supports (see section 4.2)
- The upper straps are attached using the same cam-lock fasteners at the pelvic lap strap (see section 4.2)
- The lower straps are fed through the base of the chair and are attached to cam-lock fasteners on the underside (H).
- To adjust the length on the strap, simply adjust the amount of strap that is fed through the cam-locks and tri-glides (if applicable). See diagrams above and below.
- To remove the strap completely, loosen the cam-locks and retract the strap from them.



4.4 Buckle and Strap Operation

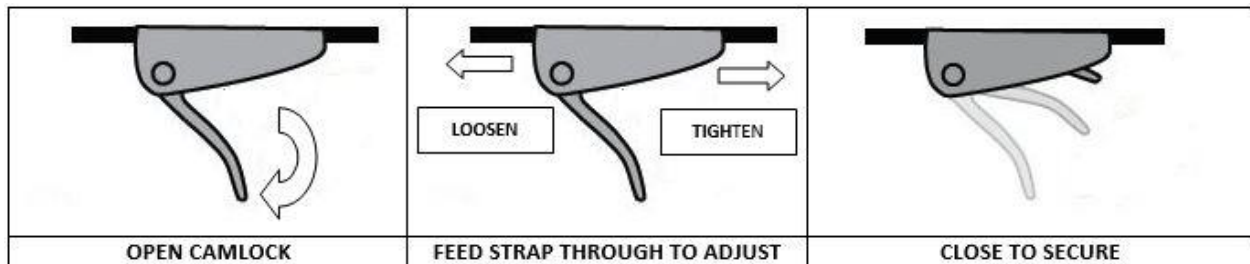
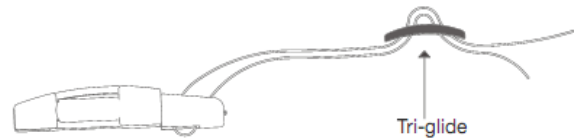
4.4.1 Buckle Strap (Standard)

- The buckle is secured by pushing (I) into (J).
- To release the buckle, press both sides of (I)



4.4.2 Strap Length

- The length of the straps can be altered by adjusting the amount of the strap that is fed through the cam-locks and tri-glides (if applicable). See diagrams across and below.



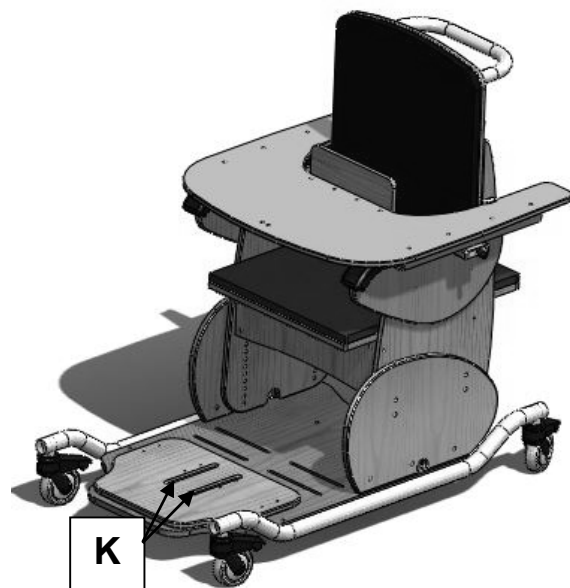
4.5 Heal Stop for Heal Huggy

- The heel stop can be adjusted in depth.
- Loosen the screws (K) by a couple of turns.
- Slide it back or forwards to desired depth.
- Re-tighten screws.

4.6 Pommel

Pommels have to be specified at the time of order. A pommel cannot be retrofitted.

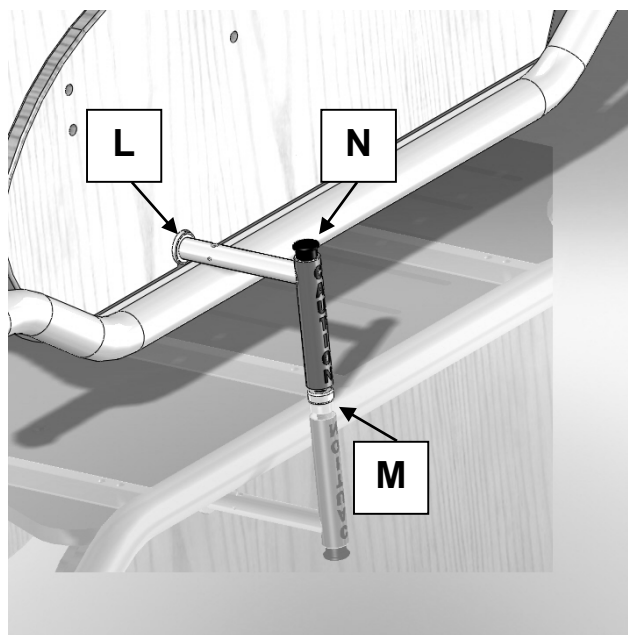
- To adjust:
 - Loosen hand wheel
 - Position the pommel in or out to the desired position.
 - Re-tighten handwheels.



4.7 Stabilisers

4.7.1 Retrofitting

- Slacken side panel fixing screws located under the chassis
- Insert stabilizers through the 'mouse-hole' (L) of the side panel.
- Turn the stabilizer to the vertical position (as shown on the right).
- If needed, drill M8 clearance hole through the baseboard
- Secure stabilizers with M8 cap screws, nuts and washers.
- Re-tighten leg/side panel fixing screws under the chassis

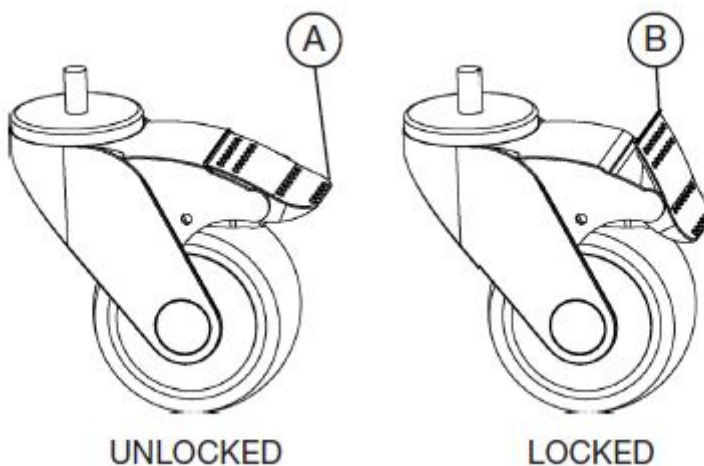


4.7.2 Extend Stabiliser

- Depress button (N)
- Pull stander tube out (M)
- Release button.
- Turn it vertical to the ground - there will be an audible click when locked.



Always lock the castors when attaching items or making adjustments. To lock, apply foot to point (A), to unlock apply foot to point (B).



5.0 FINAL INSPECTION

When the service is complete:

- Remove any waste created as part of the service from the site.
- Confirm with the operator if the chair is safe to use and that it has been left in a working state. Isolate the chair if it is not safe to operate.
- Complete all documentation – see Hardrock User Manual for more details



Incorrect use may result in personal injury or damage to objects.

6.0 TECHNICAL SPECIFICATION

6.1 Chair Dimensions



Code	Size	Seat height (mm)	Width (mm)	Seat Depth (mm)	Back height (mm)	Max user weight (kg)	Product weight (kg)
8201	1	220-315	290	230-305	300	50	35
8202	2	260-410	350	300-415	390	60	35
8203	3	290-440	430	370-485	370	70	40
8204	4	375-525	470	400-550	575	90	50

6.2 Environmental - Storage and Operating Conditions

The chair is intended for internal use within normal environmental conditions.

It is not intended to be used in environments where there are rapid changes in the environmental temperature and humidity during intended use.

The Hardrock chair suffers little from any effects of lint, dust and light.

- Lint – Due to there being no mechanical or electrical mechanisms on the Hardrock chair, lint would not affect the chair working.
- Dust – Due to there being no mechanical or electrical mechanisms on the Hardrock chair, dust would not affect the chair working.
- Light –The Specification of the chair dictates that normal use would occur during ambient luminance 50 – 500 lux. Additionally, as the chair is designed for indoor use only, if required the user may wish to switch on room lighting.

6.2.1 Normal operating conditions

+5°C to +40°C (41°F to 104°F) at a relative humidity between 15% to 90% RH, non-condensing but not requiring a water vapour pressure greater than 50hPa and atmospheric pressure between 700hPa to 1060hPa

6.2.2 Shipping and storage conditions

-25°C to +5°C (-13°F to 41°F) with any humidity level
 +5°C to +35°C (41°F to 95°F) at a relative humidity up to 90%,
 +35°C to 70°C non-condensing at a water vapour pressure up to 50hPa

During all transportation it is recommended that the chair remains in its original packaging.

It is recommended that the chair is stored in a cool, dry place out of direct sunlight. If cleaning is required after storage, please see section 7.6 'Cleaning' of the user manual for instructions.

Shipping and storage conditions are also contained on Hardrock Box Label:

The image shows a template for a 'Hardrock Box Label' with the following elements:

- SN:
- REF:
- Product:
- SWL:
- Built By:
- Smirthwaite Ltd, Heathfield, Newton Abbot TQ12 6TL
- European Healthcare & Device Solutions (Ireland) Ltd, Stratton House, Bishopstown Road, Cork, Ireland.
- Manufactured in the UK
- Removal of this label will invalidate the warranty
- Logos: Smirthwaite (a crisin healthcare company), CE, MD - Medical Device, and various warning symbols.

6.3 Standards Applied

The standards that have been applied to the device are as follows:

- BS EN ISO 12182:2012 (Assistive products for persons with disability. General requirements and test methods).
- IEC 62366:2015 (Application of usability engineering to medical devices).
- BS EN ISO 15233-1 :2016 (Medical devices — Symbols to be used with medical device).

6.4 Disposal

Please observe the local laws on recycling and respect the current laws for disposal within the community the device is being used within. If there is any uncertainty of the below guidelines, contact your local authorities to determine the proper method of disposal of potentially bio-hazardous parts and accessories.

7.0 GENERAL INSPECTION AND MAINTENANCE



No maintenance is to be carried out on the chair while in use to reduce the risk of injury.

The user will not require any tools when completing their inspections.

When completing services, the authorised service engineer will provide their own tools, including:

1 x set of metric Allen keys.

7.1 Daily Checks - To Be Completed by User

Prior to each use the Hardrock chair must be inspected visually.



Should any of these items fail the inspection, DO NOT use the chair.

Contact your local authorized dealer for service – contact details are on the last page of this manual.

Visually check for the following:

- Check the tray (if supplied) to ensure no parts are loose or damaged.
- Check all upholstery for signs of wear and tear.
- Check that the hand wheels tighten correctly, and are not cross-threaded or damaged.
- Check that the leg screws are present and are tightened correctly.
- Check all straps for fraying, and that buckles are not missing/damaged.
- Check the strap is securely fastened to the poppers on the underside of the chair.

7.2 Service Interval

The Hardrock chair should be serviced annually. Servicing must only be undertaken by a Smirthwaite Ltd. service engineer, or by a Smirthwaite Ltd. trained representative.

7.3 Nominal Service Life

Your product has a nominal service life of 7 years, during which full post-sales support will be available with regard to spares and servicing.

Product service life has been determined based upon the design complexity of product, and the anticipated exposure to normal use.

Good practice dictates all Smirthwaite Ltd. products have been designed and manufactured to high levels of safety and quality, and will meet requirements of normal use when maintained in line with our servicing recommendations.

GENERAL INSPECTION AND MAINTENANCE



If the product has been out of use for an extended period of time (6 months or more) it should always be serviced prior to being reissued. If the product has been subjected to 'heavy' or 'constant' use, the service should be reduced to half the recommended period.

Constant and/or heavy use is considered to be:

- Daily use above 7 hours' duration.
- Weekly use above 5 days' duration.
- Monthly use above 10 months per year.
- Use by a client who is at 90% to 100% of the maximum weight limit of the product. The maximum weight limit must NEVER be exceeded.
- Use by a client who is extremely active, either voluntarily or involuntarily.

7.4 Extending Nominal Service Life

At Smirthwaite Ltd. we are proud to produce products that have a reputation for quality and durability.

We believe our products have the potential to provide benefits to our clients beyond the nominal service life documented above.

We will continue to provide full support beyond the nominal service life provided the following conditions are met:

1. A full service schedule has been maintained.
2. A full service and inspection is undertaken at the end of the nominal service life period.
3. The product is subsequently serviced annually (or biannually if under 'heavy/constant' use conditions).
4. Smirthwaite Ltd. reserve the right to limit support where parts/components are no longer available.

7.5 User Serviceable Parts

Please contact Smirthwaite Ltd. or your local dealer for information to assist service requirements on the Hardrock – e.g. to ascertain the necessary information for replacement parts and components. Contact details are shown on the last page of this manual

7.6 Final Inspection

When the service is complete:

- Remove any waste created as part of the service from the site.
- Confirm with the operator if the chair is safe to use and that it has been left in a working state. Isolate the chair if it is not safe to operate.
- Complete all documentation – see section '9.0 Service Documentation.'



Incorrect use may result in personal injury or damage to objects

8.0 CLEANING

Please follow the cleaning guidelines below; noting the frequency is appropriate with usage.



It is recommended to clean the Hardrock chair and accessories before use by a different person, reducing the risk of cross-contamination.

8.1 General cleaning

The exterior of the Hardrock chair can be cleaned using a damp soapy cloth for general cleaning duties. Please ensure the cloth is damp and not wet. Ensure the exterior of the chair is dry after cleaning. Dry using a clean dry cloth.

- Upholstery - damp cloth and mild detergent.
- Wooden Parts - damp cloth and mild detergent.

Key cleaning points include;

- Stubborn marks on the woodwork should be cleaned by using a soft brush.
- Do not soak or immerse the chair in water.
- The pelvic strap can be cleaned with a damp cloth. In cases of extreme soiling it can be machined washed at low temperature with mild detergent but must be drip dried.
- Store the chair in a cool dry place out of direct sunlight.



DO NOT use bleach, solvents, abrasives, synthetic detergents, wax polishes, antibacterial sprays or wipes.

For further information, please refer to MHRA or your NHS cleaning guidelines.

9.0 SERVICE DOCUMENTATION

9.1 Documentation/ Records

It is the responsibility of the current equipment owner to ensure the Service Manual (As well as any further manuals for accessories fitted to the equipment) are handed over to the new owner at the time of exchange/sale.

It is the responsibility of the current equipment owner to ensure the service and inspection record form is kept up to date.

10.0 WARRANTY

Smirthwaite Ltd warrants the products detailed on your order to be free from defects in materials and workmanship for a period of 2 years from date of delivery. If a fault develops during the period, please call Customer Services by email or telephone 01626 835552 who will advise you on the best course of action. Possible action may be for us to arrange to send out one of our Service Engineers, or have the goods returned to us. Should a repair not be possible within the guarantee period we will replace the product for new or nearest equivalent product. In the unlikely event that we cannot repair or exchange we will refund in full.

This warranty is in addition to your legal rights. Goods will only be collected from the original delivery address.

A charge may be made where the goods cannot be repaired under the terms of the warranty. You will be advised before this is made.

T: +44 (0)1626 835552

E: info@smirthwaite.co.uk

11.0 CONTINUOUS IMPROVEMENT

Smirthwaite Ltd are committed to continuous improvement to their product range. Should you have any suggestions or comments please send them to our product design department at:

info@smirthwaite.co.uk

Smirthwaite Ltd reserve the right to change the specification or material without prior notice.

For catalogues, help and further information on our products please contact us at:

Smirthwaite Ltd 16 Wentworth Road Heathfield, Devon.TQ12 6TL

T: +44 (0)1626 835552

E: info@smirthwaite.co.uk

W: www.smirthwaite.co.uk



Smirthwaite Ltd, 16 Wentworth Road • Heathfield • Newton Abbot • Devon • TQ12 6TL

Part Number: 999-1-09 / Rev: 2 / Date: Sep 21