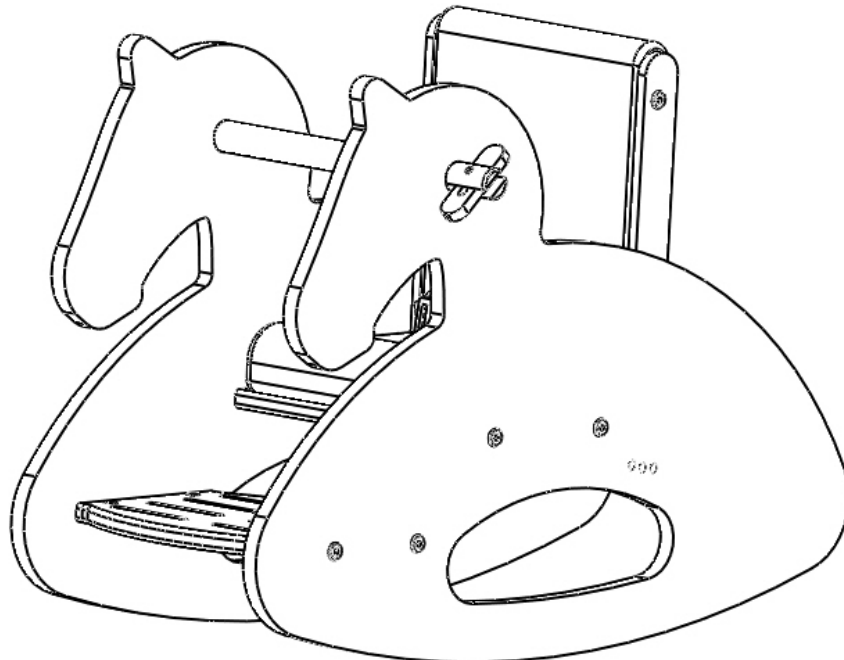


ROCKING HORSE

INSTRUCTIONS FOR USE
Codes 43311 - 43373



CONTENTS	PAGE
1.0 INTRODUCTION	1
2.0 ILLUSTRATION OF YOUR ROCKING HORSE	2
3.0 FOR YOUR SAFETY	3
4.0 UNPACKING AND ASSEMBLING YOUR PRODUCT	4
5.0 HOW TO USE YOUR PRODUCT	4
6.0 CARE & MAINTENANCE	6
7.0 WARRANTY & SERVICE	9
8.0 CONTINUOUS IMPROVEMENT	9
9.0 SERVICE INSPECTION	10


1.0 INTRODUCTION

Thank you for choosing the Smirthwaite Rocking Horse.

The Smirthwaite Rocking Horse has been designed to help teach a child how to gently and safely rock. It translates repeated body movements into rocking movement of the horse.

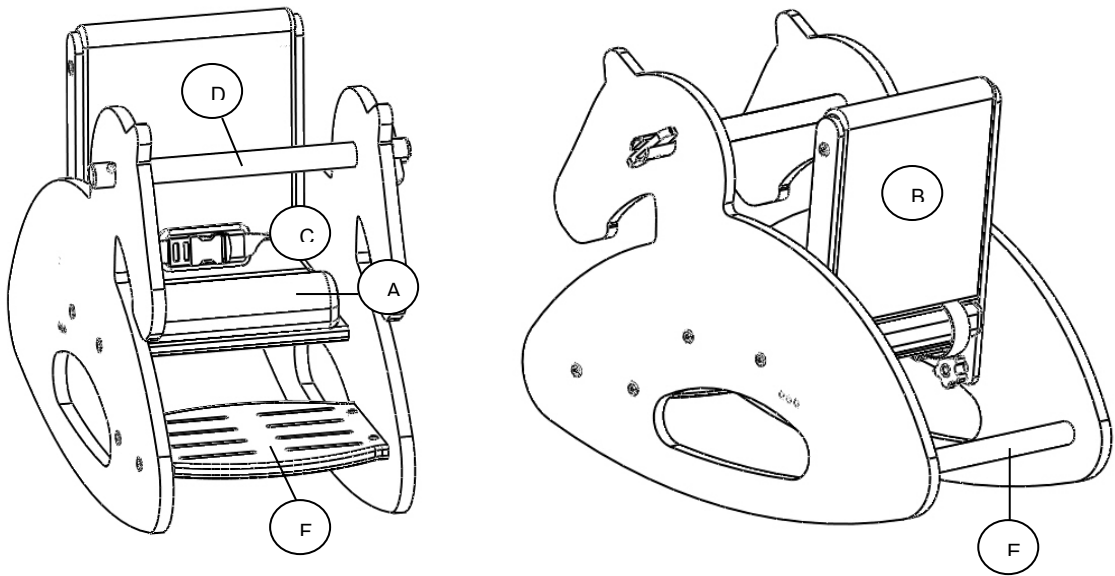
If your child cannot self-rock, he or she can still experience the fun of rocking movement as the carer can rock the horse for the child using the rear foot bar.

Designed with safety and comfort in mind, the product includes upholstered and adjustable seat cushion and back, a slotted footplate and is provided complete with a padded pelvic/lap strap with buckle fixing.

	<p>IMPORTANT!</p> <p>These instructions should be read by all therapists and carers using the equipment and should be retained for future reference. The product should always be used under adult supervision – this product is not a toy</p> <p>A clinical assessment of the child’s needs should be undertaken to ensure the Samba chair is correctly adjusted. Adjustments should only be made by a therapist, Smirthwaite Technical Product Advisor or suitably trained personnel.</p> <p>Any incorrect use of the product and failure to follow the instructions may put the user at risk or impede the function. If you have any queries using this product or wish for further copies, please do not hesitate to contact our Customer Service Team on T: +44 (0)1626 835552.</p> <p>This product has been designed and manufactured specifically and solely for use by clients with special needs.</p>
---	---



2.0 ILLUSTRATION OF YOUR ROCKING HORSE



- A. Seat cushion
- B. Reclinable back
- C. Lapstrap and buckle

- D. Removable grab rail
- E. Rear rocking foot bar
- F. Slotted foot plate

2.1 PRODUCT CODES REFERENCE TABLE

Size	Colour Range						
	RED	BLUE	GREEN	YELLOW	LAVENDER	PIVIONE	PINK
1	43311	43321	43331	43341	43351	43361	43371
2	43312	43322	43332	43342	43352	43362	43372
3	43313	43323	43333	43343	43353	43363	43373

2.2 TECHNICAL DATA

Size	Overall Height (mm)	Overall Length (mm)	Foot to Seat (mm)	Seat Width (mm)	Rump-Rear Knee (Guide) (mm)	Max User Weight (kg)
1	485	650	120	240	200-260	25
2	610	835	140	280	240-330	45
3	665	925	200	325	280-360	60



3.0 FOR YOUR SAFETY



STOP!

Please read these instructions **CAREFULLY** and **THOROUGHLY**.

- The user should **NOT** be left unattended whilst using the product. Always ensure a responsible therapist or carer is in attendance – this product is not a toy
- If you believe the product to be faulty at any time, **DO NOT USE** – contact Smirthwaite by telephone on +44 (0)1626 835552.
- The product is **ONLY** to be used indoors on a flat level surface.
- Regular maintenance checks and cleaning are essential for the safe use of this equipment (see Section 6.0 Care and Maintenance).
- Always keep this product away from naked flames, cigarettes and sources of heat including open fireplaces, radiators, heaters.
- **DO NOT** fit parts or accessories of other manufacturers to this product unless authorised to do so in writing by Smirthwaite Ltd. Failure to follow these instructions will not only invalidate the guarantee but could make the product dangerous to use. Smirthwaite Ltd will not accept liability for any injury or damage incurred through such malpractices. Any repairs required must be carried out by Smirthwaite Ltd authorised personnel.



STOP!

LAP STRAPS & HARNESSSES SAFETY NOTICE

Lap straps and harnesses must be appropriate and safe for the user and the users clothing.

Lap straps and harnesses must be checked every time the chair is used to ensure they are fitted as prescribed by the clinician, take account of the users clothing and are tightened so that the user cannot sustain injury.

Checking the fit of lap straps and harnesses must be done with the user in the chair and should be undertaken as soon as the users sits in the chair.



4.0 UNPACKING AND ASSEMBLING YOUR PRODUCT

- Your product will be delivered flat-packed for self-assembly – a quick set up guide is provided



STOP!

If in any doubt, **ALWAYS** seek **ADVICE**.

Always turn hand wheels, levers and screws clockwise to tighten or anti-clockwise to loosen.

5.0 HOW TO USE YOUR PRODUCT



STOP!

The user should **NOT** be left unattended whilst using the product. **Always** ensure a responsible therapist or carer is in attendance.

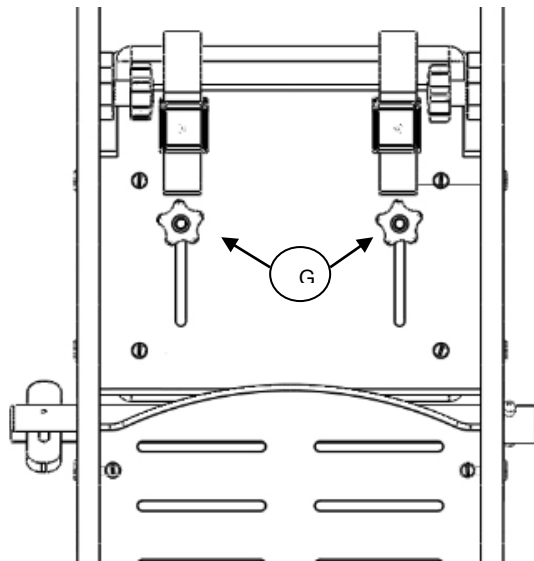
5.1 ADJUSTMENTS

Two adjustments can be made to your Rocking Horse

5.1.1 SEAT DEPTH

To change/set the seat depth:

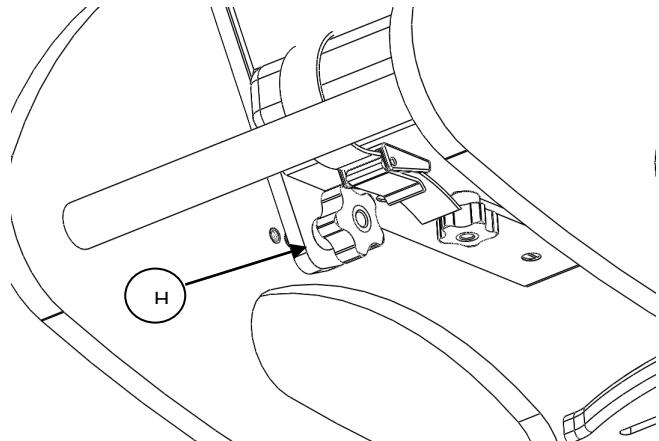
- Loosen the two hand wheels located underneath the seat cushion (G).
- Slide the seat cushion to the appropriate position for the child.
- Tighten the two hand wheels to secure the seat cushion into position (G)



5.1.2 BACK RECLINE

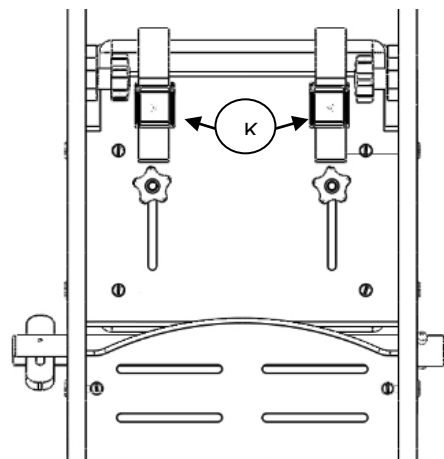
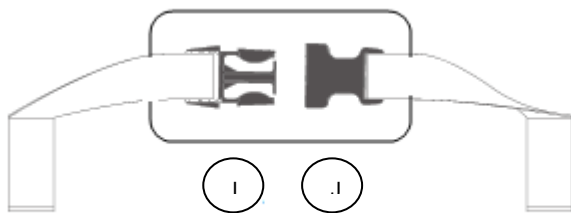
To alter the angle of the seat back:

- Remove the two hand wheels located at the lower rear of the seat back, one found on each rocking horse side (H).
- Three positions of recline are available – select the most appropriate and reinsert the hand wheels (H) to secure into position.



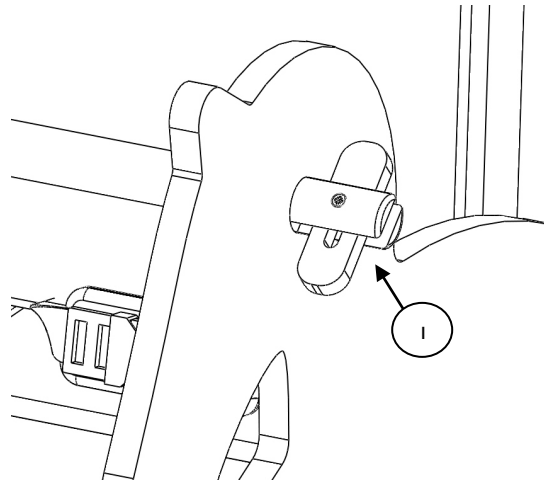
5.2 PELVIC LAP STRAP

- The buckle is secured by pushing the male plug (I) into the female receiver (J)
- To release the buckle, press both sides of the male plug
- The strap length can be altered by adjusting the amount of strap fed through the cam-locks on the underside of the Rocking Horse (K)



5.3 REMOVABLE GRAB RAIL

- Rotate the toggle on the grab rail (L) to enable the grab rail to be fed through both sides of the rocking horse
- Feed the grab rail through until it cannot be moved further – the peg on the end of the rail will prevent further movement
- Rotate the toggle on the grab rail (L) through 90° to secure in place.
- To remove, simply rotate the toggle and pull the grab rail through the rocking horse body



5.4 SLOTTED FOOT PLATE

A slotted foot plate is provided to enable fitment of foot securing accessories.

6.0 CARE AND MAINTENANCE



IMPORTANT!

Cleaning is recommended on a regular basis

- Clean wooden parts with a damp cloth and mild detergent
- Stubborn marks on wood work should be cleaned by using a soft brush.
- Do not soak or immerse the product in water.
- Store the product in a cool dry place out of direct sunlight.
- DO NOT use bleach, solvents, abrasives, synthetic detergents, wax polishes, antibacterial sprays or wipes.
- For further information please refer to MHRA or your NHS cleaning guidelines.



6.1 DAILY CHECKS

- Check all parts for signs of wear and tear or damage.
- Ensure all screws are present and tightened

	STOP! The product should not be in use while the checks are carried out.
---	--

6.2 SERVICE INTERVAL

The Rocking Horse should be serviced every 3 years. Servicing must only be undertaken by a Smirthwaite service engineer, or by a Smirthwaite trained representative.

6.3 NOMINAL SERVICE LIFE

Your product has a nominal service life of 12 years, during which full post-sales support will be available with regard to spares and servicing.

Product service life has been determined based upon the design complexity of product, and the anticipated exposure to normal use.

Good practice dictates all Smirthwaite products have been designed and manufactured to high levels of safety and quality, and will meet requirements of normal use when maintained in line with our servicing recommendations.

	STOP!
---	--------------



	<p>If the product has been out of use for an extended period of time (6 months or more) it should always be serviced prior to being reissued.</p> <p>If the product has been subjected to 'heavy' or 'constant' use, the service should be reduced to half the recommended period. Constant and/or heavy use is considered to be:</p> <ul style="list-style-type: none"> • Daily use above 7 hours duration • Weekly use above 5 days duration • Monthly use above 10 months per year • Use by a client who is at 90% to 100% of the maximum weight limit of the product. The maximum weight limit must NEVER be exceeded • Use by a client who is extremely active, either voluntarily or involuntarily
--	--

6.4 EXTENDING NOMINAL SERVICE LIFE

At Smirthwaite we are proud to produce products that have a reputation for quality and durability.

We believe our products have the potential to provide benefits to our clients beyond the nominal service life documented above.

We will continue to provide full support beyond the nominal service life provided the following conditions are met:

1. A full service schedule has been maintained.
2. A full service and inspection is undertaken at the end of the nominal service life period
3. The product is subsequently serviced annually (or biannually if under 'heavy/constant' use conditions)
4. Smirthwaite reserve the right to limit support where parts/components are no longer available

6.5 DOCUMENTATION/RECORDS

- It is the responsibility of the current equipment owner to ensure the 'Instructions for Use' manual and any further manuals for accessories fitted to the equipment are handed over to the new owner at the time of exchange/sale
- It is the responsibility of the current equipment owner to ensure the service and inspection record form is kept up to date



6.6 PRODUCT CONFIGURATION

- Smirthwaite will document and maintain a record of the original product configuration at the time of first sale
- Smirthwaite will not be held responsible for any subsequent changes to this configuration unless authorized to do so in writing by Smirthwaite Ltd
- It is the equipment owner's responsibility to maintain their own records of changes to the equipment configuration and to be able to provide such records to subsequent owners to maintain traceability
- We recommend an inspection/service by a Smirthwaite Service Engineer (or Smirthwaite trained engineer) whenever a significant change is made to product configuration to ensure the product is safe to use. **If in any doubt, ALWAYS seek ADVICE**



IMPORTANT REMINDER!

DO NOT fit parts or accessories of other manufacturers to this product unless authorized to do so in writing by Smirthwaite Ltd.

Any servicing or repairs required must be carried out by Smirthwaite Ltd (or a Smirthwaite trained engineer).

If you believe this product to be faulty – DO NOT USE – Contact Smirthwaite Ltd on T: +44 (0) 1626 835552

If in any doubt, ALWAYS seek ADVICE.

7.0 WARRANTY & SERVICE

Smirthwaite Ltd warrants the products detailed on your order to be free from defects in materials and workmanship for a period of 2 years from date of delivery. If a fault develops during the period, please call Customer Services by email or telephone 01626 835552 who will advise you on the best course of action. Possible action may be for us to arrange to send out one of our Service Engineers, or have the goods returned to us. Should a repair not be possible within the guarantee period we will replace the product for new or nearest equivalent product. In the unlikely event that we cannot repair or exchange we will refund in full.

This warranty is for the UK only. The warranty excludes faults due to accident, neglect, misuse, not following the Instructions and normal wear and tear. This warranty is in addition to your legal rights. Goods will only be collected from the original delivery address.



A charge may be made where the goods cannot be repaired under the terms of the warranty. You will be advised before this is made.
 T: +44 (0)1626 835552 E: info@smirthwaite.co.uk

8.0 CONTINUOUS IMPROVEMENT

Smirthwaite Ltd are committed to continuous improvement to their product range. Should you have any suggestions or comments please send them to our product design department at: info@smirthwaite.co.uk

Smirthwaite Ltd reserve the right to change the specification or material without prior notice.

For catalogues, help and further information on our products please contact us at:

Smirthwaite Ltd

16 Wentworth Road

Heathfield

Devon

TQ12 6TL

T: +44 (0)1626 835552 F: +44 (0)1626 835428

E: info@smirthwaite.co.uk W: www.smirthwaite.co.uk

9.0 SERVICE INSPECTION

9.1 Product Information

Model:	
Size:	
Date of Manufacture:	
Serial Number:	
Final Inspection:	

9.2 Service & inspection record form:

Date	Procedure	Service Personnel







Smirthwaite, 16 Wentworth Road, Heathfield, Newton Abbot, Devon.TQ12 6TL
T: +44 (0) 1626 835552 F: +44 (0) 1626 835428 E: info@smirthwaite.co.uk www.smirthwaite.co.uk

